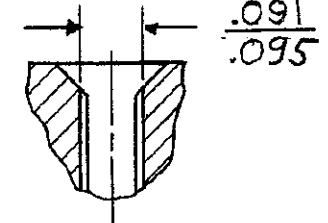
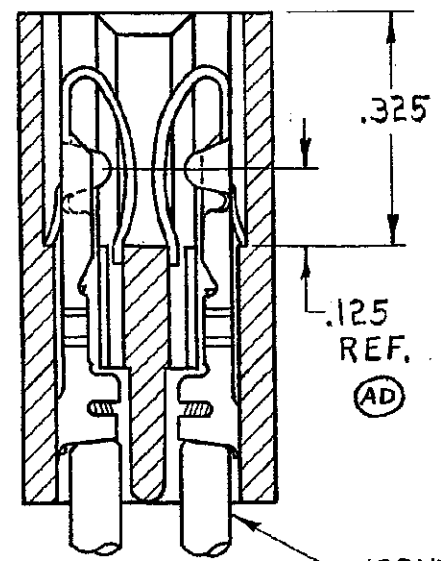
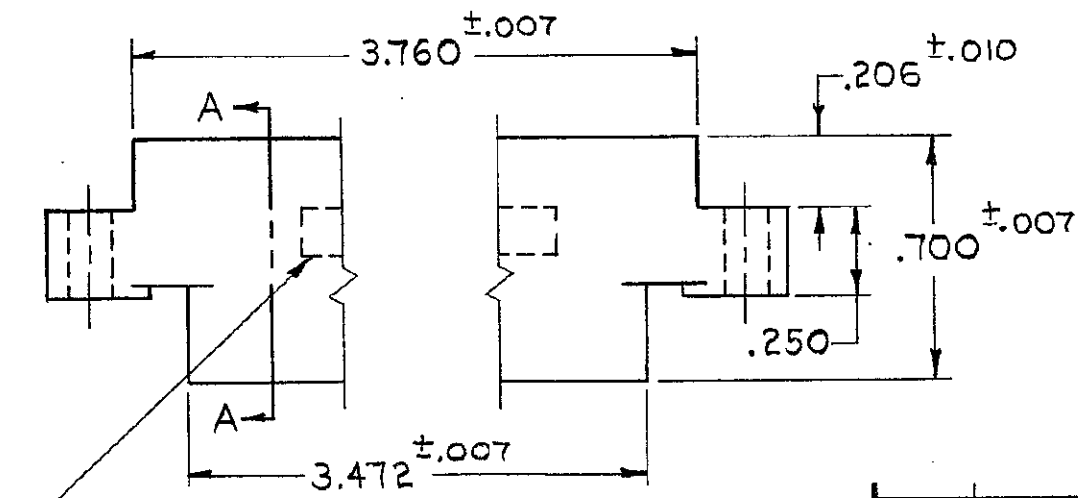
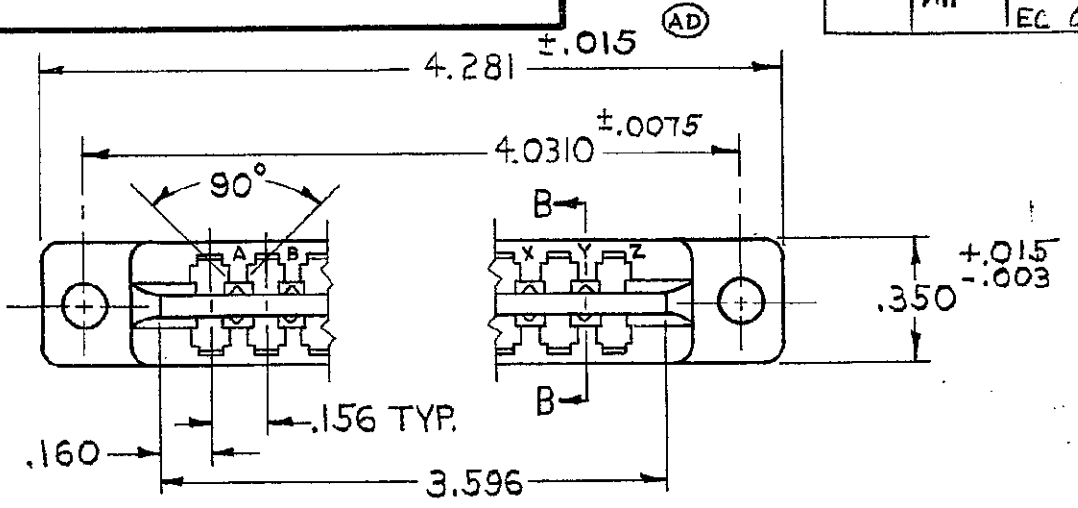


NUMBER 480142

©1962 BY AMP INCORPORATED. ALL RIGHTS RESERVED. AMP PRODUCTS COVERED BY PATENTS AND/OR PATENTS PENDING.

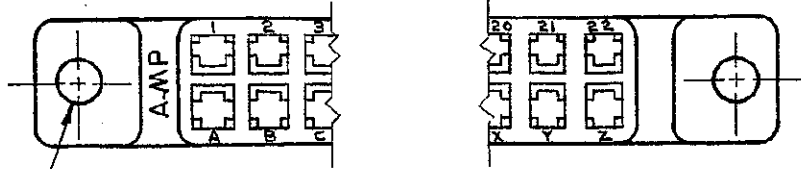
AF	REV PER AD1735	72287
AG	OBS -6 PER AD1831	16 3-22-88
AH	OBS 582358-2 R-3 PER EC 0320-354-97	05 JAN 98

SYMBOL		DESCRIPTION	DATE	APPROVAL
AA	-	REDRAWN WITHOUT CHANGE V-462	9-10-4	CO.
AB	-	REVISED. ADDED-6 (SHT. 3) W-753	10-6-5	m.S. / D.H.
AC	-	REVISED SHEET 1 Y-212	2-23-6	m.S. / D.H.
AD	-	REVISED 3 SHEETS 1600	10-27-67	m.S. / D.H.
AD1	-	ADD -7 SHT. 2 (WAS 5112-195-1) 2519	5-19-70	m.S. / D.H.
AD2	-	ADD -8 SHT. 2 (WAS 5112-250-1) 2585	7-17-70	m.S. / D.H.
AD3	-	ADDED -9 SHT. 3 (WAS 5112-176-1 CUST) 2946	3-25-71	m.S. / D.H.
AE	-	REVISED 7490	8-4-81	
AE1	-	OBSOLETED -7, -8 Per ECN AD1087	2-7-80	



NOTE: .070-.055 BOARD THICKNESS.

AMP PART NO. & DATE CODE THIS AREA.



HOLE DIA. SEE TABLE.

QTY REQD	PART OR IDENTIFYING NO.	NOMENCLATURE OR DESCRIPTION	PART NO.	HOLE DIA.
			480142-6	SEE SHEET 3
			582358-2	.150 DIA. 2 HOLES
			480142-2	.125 DIA. 2 HOLES

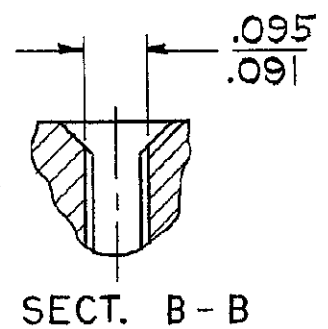
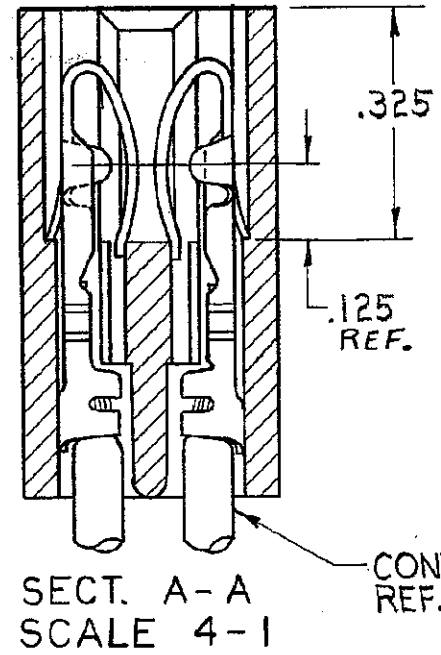
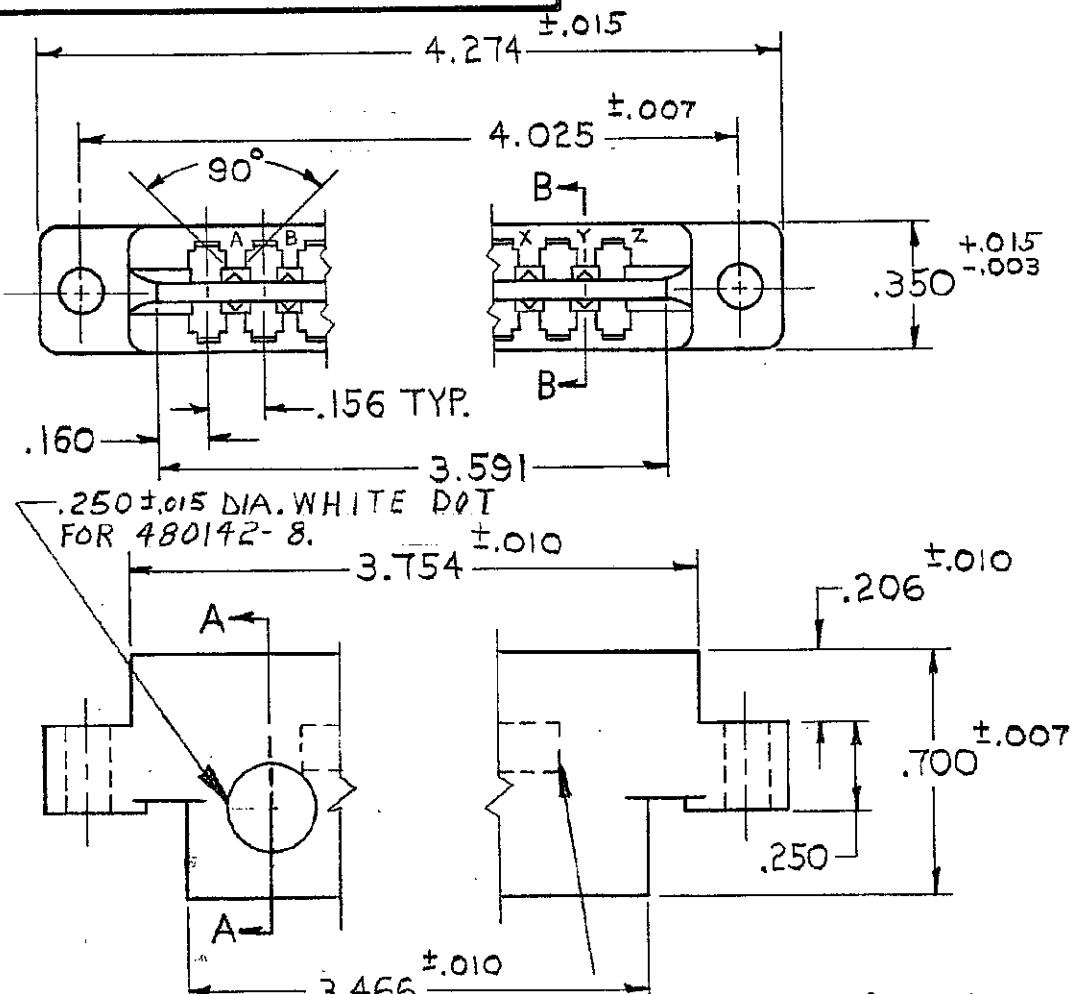
UNLESS OTHERWISE SPECIFIED DIMENSIONS ARE IN INCHES TOLERANCES ON		SIGNATURE	DATE	AMP INCORPORATED HARRISBURG, PENNSYLVANIA	
FRACTIONS ± #/	DECIMALS ± .005	DR <i>C. Ostergis</i>	9/10/64	<p style="text-align: center;">22 DUAL AMP LEAF HOUSING</p>	
ANGLES ± 0° 30'		CHK <i>D. Mella</i>	9/19/64		
MATERIAL		DSGN ENGR			
HEAT TREAT		APPD <i>R. Schaeffer</i>	10/23/64		
		DSGN APPD <i>R. Hollenbeck</i>	10/23/64	CODE IDENT NO	SIZE
		OTHER APPD		00779	B
				NUMBER	
				480142	
				SCALE 2-1	WT CALC ACTUAL
					SHEET 1 OF 3

AMP INFO
LOC PR DIST
FT AM 22

NUMBER 480142

©1962 BY AMP INCORPORATED. ALL RIGHTS RESERVED. AMP PRODUCTS COVERED BY PATENTS AND/OR PATENTS PENDING.

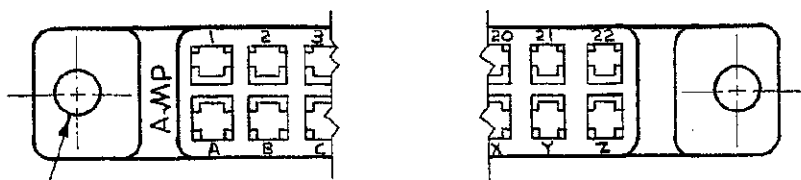
REVISIONS				
SYM	ZONE	DESCRIPTION	DATE	APPROVAL
-	-	SEE SHEET 1		



NOTE:
.070-.055 BOARD THICKNESS.

OBsolete	Part No.	Hole Dia.
	480142-8	.125 DIA. HOLES ESPL
	480142-7	.125 DIA. HOLES ESPL
	582358-3	.150 DIA. 2 HOLES
	480142-3	.125 DIA. 2 HOLES

AMP PART NO. & DATE CODE THIS AREA.



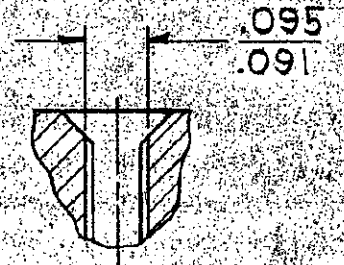
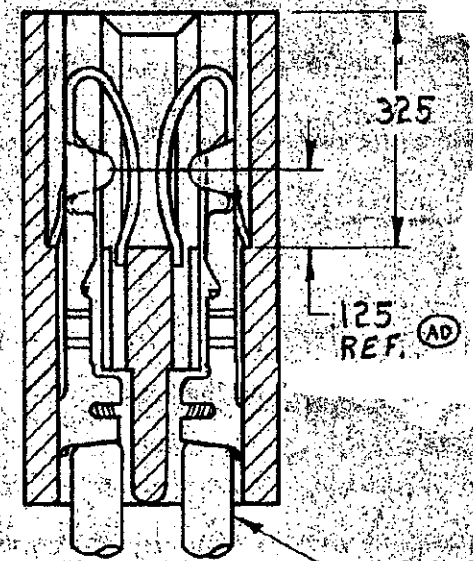
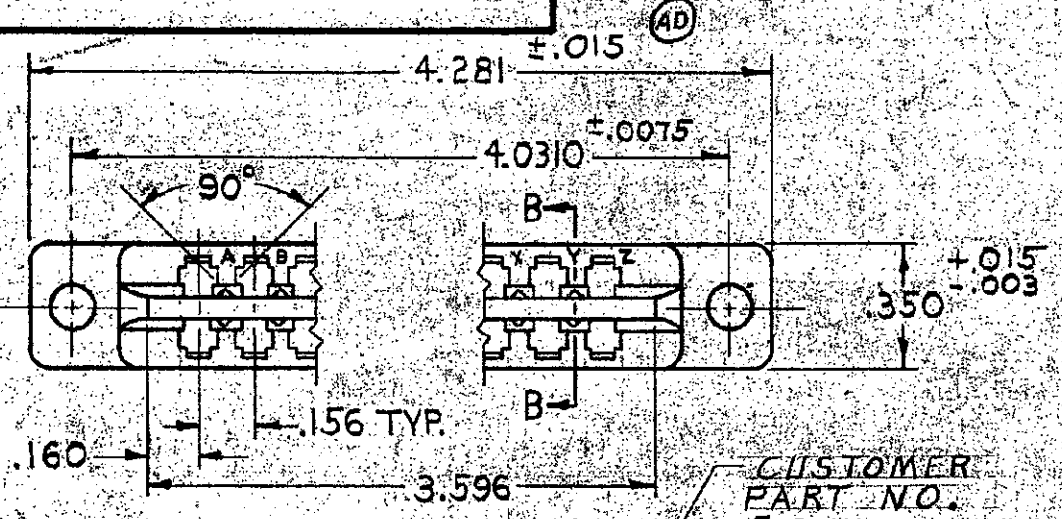
HOLE DIA. SEE TABLE.

QTY REQD	PART OR IDENTIFYING NO.	NOMENCLATURE OR DESCRIPTION	PART NO.	HOLE DIA.
LIST OF MATERIALS OR PARTS LIST				
UNLESS OTHERWISE SPECIFIED DIMENSIONS ARE IN INCHES TOLERANCES ON		SIGNATURE		DATE
FRACTIONS ± #	DECIMALS ± .005	ANGLES ± 0° 30'	<i>C. Ontenio</i>	9/11/64
MATERIAL PHENOLIC — COLOR BLACK		CHK <i>J. Miller</i>		7/18/64
HEAT TREAT — #		APPR <i>R. K. ...</i>		10/23/64
FINISH — #		DSGN APPD <i>R. ...</i>		11/23/64
OTHER APPD		NAME		
AMP INFO		AMP INCORPORATED		HARRISBURG, PENNSYLVANIA
LOC FT	DIST	22 DUAL AMP LEAF HOUSING		
22		CODE IDENT NO	SIZE	NUMBER
		00779	B	480142
SCALE 2-1		WT	CALC	ACTUAL
				SHEET 2 OF 3

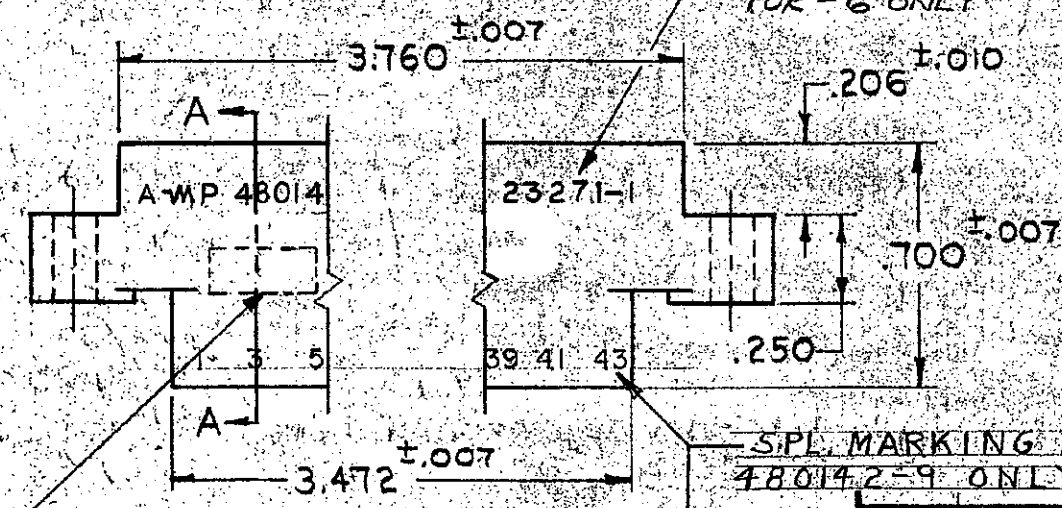
NUMBER 480142

© 1962 BY AMP INCORPORATED. ALL RIGHTS RESERVED. AMP PRODUCTS COVERED BY PATENTS AND/OR PATENTS PENDING.

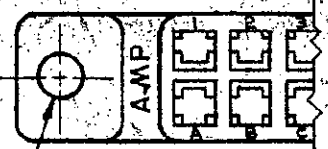
REVISIONS				
SYM	ZONE	DESCRIPTION	DATE	APPROVAL
		SEE SHEET 1		



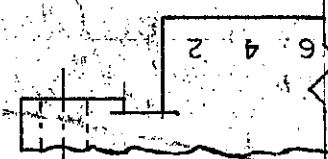
NOTE: .070-.055 BOARD THICKNESS.



DATE CODE THIS AREA.



HOLE DIA. SEE TABLE.



AMP INFO
LOC PRINT DIST
FT 22

CONTACT REF. ONLY
SCALE 4-1

OBsolete	480142-9	.125 DIA. 2 HOLES
OBsolete	480142-6	.125 DIA. 2 HOLES

QTY REQD	PART OR IDENTIFYING NO.	NOMENCLATURE OR DESCRIPTION	PART NO.	HOLE DIA.
LIST OF MATERIALS OR PARTS LIST				
UNLESS OTHERWISE SPECIFIED DIMENSIONS ARE IN INCHES FRACTIONS = 1/16 DECIMALS = ±.005 ANGLES = 0° 30'		SIGNATURE DP: <i>M. Smith</i> CHK: <i>S. Heide</i> DSGN ENGR APPD: <i>R. Shuman</i> DSGN APPD: <i>R. Holliday</i> OTHER APPD:	DATE 10-5-65 10/7/65 10/9/65 10/11/65	AMP TRADEMARK
MATERIAL DIALYL PHTHALATE GLASS FILLED PER MIL-M-14F TYPE SDG-F		AMP INCORPORATED HARRISBURG, PENNSYLVANIA		
HEAT TREAT:		22 DUAL AMP LEAF HOUSING		
FINISH:		CODE IDENT NO. 00779	SIZE B	NUMBER 480142
SCALE 2-1		WT	CALC	ACTUAL
		SHEET 3 OF 3		