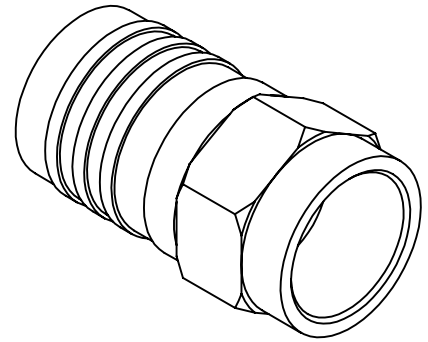
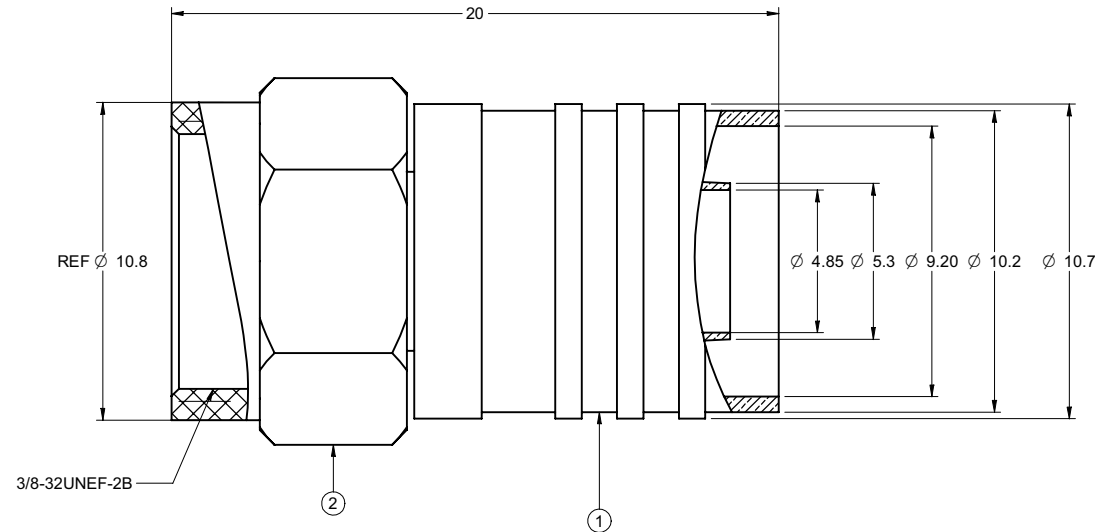
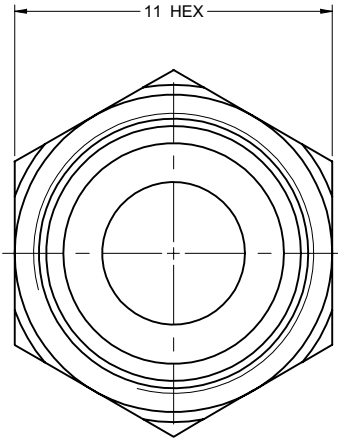


|             |                        |                       |
|-------------|------------------------|-----------------------|
| PART NUMBER | ITEM ①<br>BODY         | ITEM ②<br>NUT         |
| 25-7034     | BRASS<br>NICKEL PLATED | ZINC<br>NICKEL PLATED |

|                        |         |           |    |
|------------------------|---------|-----------|----|
| 受控 CONTROLLED DOCUMENT |         |           |    |
| 编号<br>P/N              | 25-7034 | 版本<br>Rev | 01 |
| 日期<br>Rel'd Date       | May8,09 |           |    |

|                        |  |
|------------------------|--|
| DRAWING NO.<br>25-7034 |  |
| REVISIONS              |  |
| 01                     | OFFICIAL RELEASE                                 |
| 04-13-09               | U U T J  |
|                        | THOMAS CHEN<br>2009.05.04<br>16:30:10<br>-08'00" |



NOTES:  
1. TECHNICAL DETAIL: REFER TO EMERSON DOCUMENT P/N 25-0000

THIS DRAWING TO BE INTERPRETED  
PER ANSI Y 14.5M - 1994

**COMPANY CONFIDENTIAL**

|                                      |        |                        |                  |
|--------------------------------------|--------|------------------------|------------------|
| TOLERANCE UNLESS OTHERWISE SPECIFIED |        | DRAWN BY<br>BETTY.YU   | DATE<br>04-13-09 |
| DECIMALS                             | mm     | CHECKED BY<br>BETTY.YU | DATE<br>04-13-09 |
| X                                    | + 0.5  | APPROVED BY<br>THOMAS  | DATE<br>04-13-09 |
| X.X                                  | + 0.2  | U/M                    | mm               |
| X.XX                                 | + 0.1  |                        |                  |
| ANGLES                               | + 0.5° |                        |                  |

|                                   |                        |                               |  |
|-----------------------------------|------------------------|-------------------------------|--|
| <b>EMERSON</b><br>Network Power   |                        | <b>Connectivity Solutions</b> |  |
| TITLE<br>F-56ALS RG-6 QUAD SHIELD |                        |                               |  |
| SHEET<br>1 OF 1                   | DRAWING NO.<br>25-7034 | SIZE<br>C                     |  |

THIS DRAWING WAS PRODUCED BY COMPUTER,  
DO NOT SCALE DRAWING OR UPDATE MANUALLY.