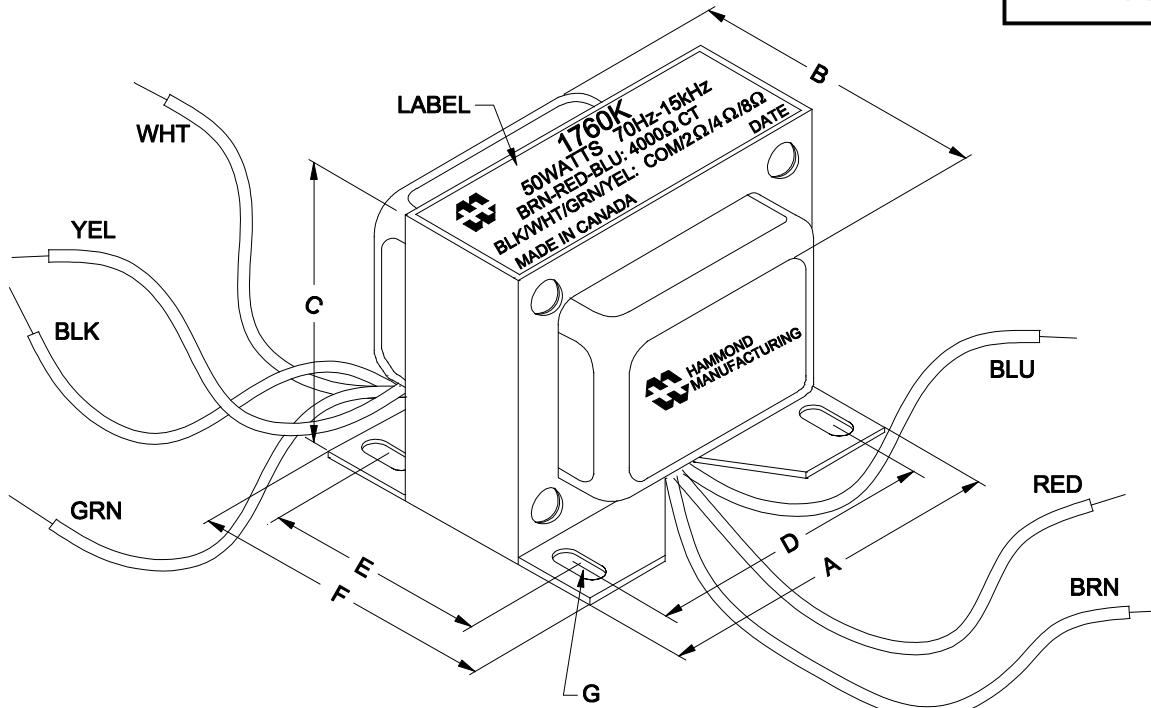


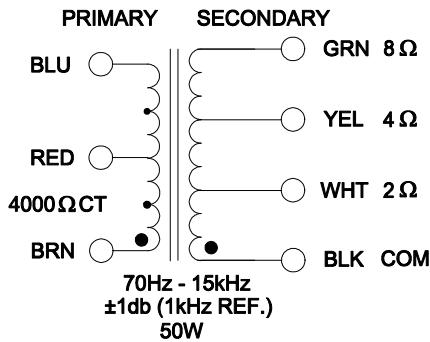
1760K



NOTE: ALL LEADS 9.0" OUT MIN.

DIMENSIONS:

A	4.063" ±0.063
B	3.125" ±0.125
C	3.453" ±0.063
D	3.500" ±0.063
E	2.000" ±0.063
F	2.560" ±0.063
G	0.177"X 0.300" ±0.015



ELECTRICAL DATA:

Turns ratio:	44.67 : 1
Inductance	@ 240V, 50Hz =>42.44H (Open circuit)
DCR	@ 20°C, BRN - BLU =89.43 Ω ±20%
	@ 20°C, BLK - WHT = 0.091 Ω ±20%
	@ 20°C, BLK - YEL = 0.183 Ω ±20%
	@ 20°C, BLK - GRN = 0.219 Ω ±20%
FREQ. RESP	@ 50W (447V), 70Hz - 15kHz ±1db (1kHz ref)
Pri. Impedance	4000 Ω CT (447V)
Sec. Impedance	2/4/8 Ω (10/14.14/20V)
Power	50 WATTS



PHONE (519) 886-6181
FAX # (519) 886-9540

TITLE		1760K	
		DR BY	B.Pervaiz
		DATE	08/25/09
NO	DATE	REVISION	DIM IN(X)MM()

1760K