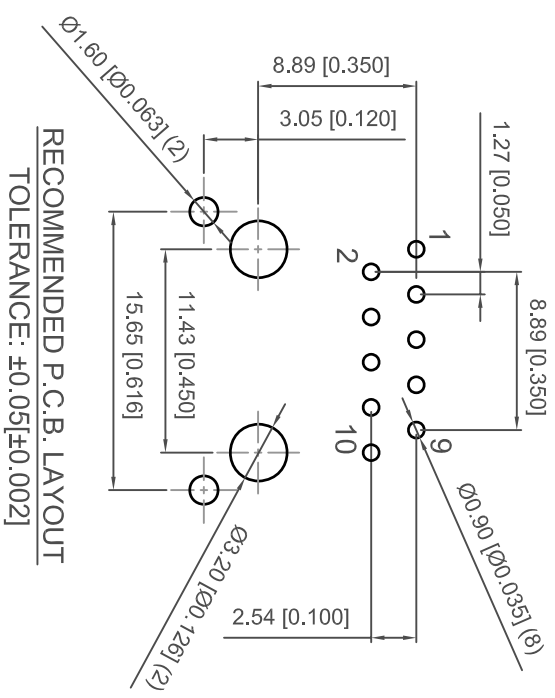
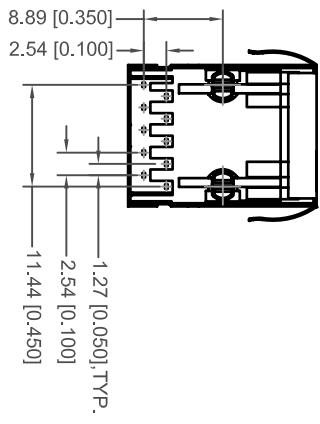
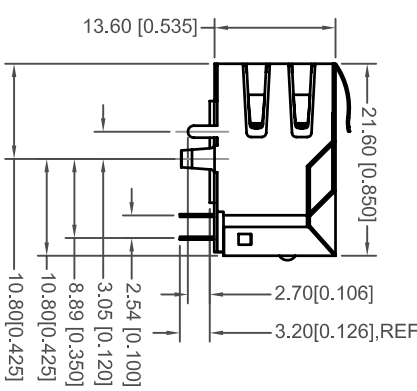
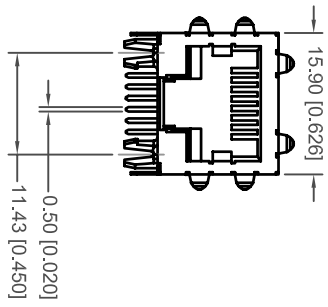
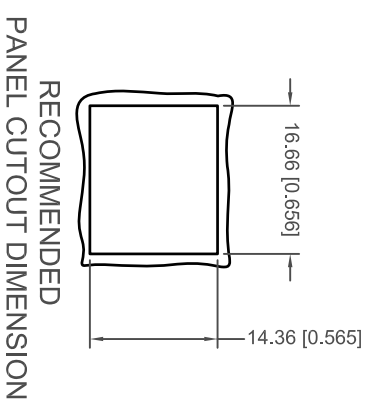
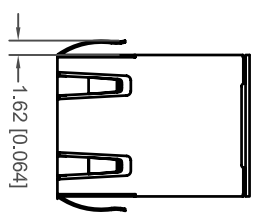


TOLERANCE UNLESS OTHERWISE SPECIFIED IN MM:
 0 ± 0.50
 0.0 ± 0.38
 0.00 ± 0.25
 0.000 ± 0.10

ANGLE 3°

THIS IS A C.A.D. GENERATED DRAWING
 DO NOT MAKE MANUAL REVISIONS TO MASTER.



NOTES:
 1. MATERIALS:
 HOUSING: PBT WITH GLASS FIBER, UL94 V-0. COLOR: BLACK
 CONTACTS: 0.35MM PHOSPHOR BRONZE PLATED WITH GOLD PLATING AND TIN IN SOLDER AREA

PART NO
 A60-112-300P492 GOLD PLATING THICKNESS
 A60-113-300P492 GOLD FLASH PLATING
 A60-114-300P492 15 MICRO INCHES OF GOLD
 30 MICRO INCHES OF GOLD

SHIELD: 0.20MM COPPER ALLOY WITH NICKEL PLATING
 2. OPERATING TEMPERATURE: 0°C TO +70°C
 3. MATE WITH MODULAR PLUG CONFORMING TO FCC PART 68, SUBPART F.
 4. DIMENSION: MM [INCHES]



THIS SERIES FULLY CONFORMS TO THE EUROPEAN UNION DIRECTIVES 2002/95/EC AND 2002/96/EC FOR ROHS COMPLIANCY.

**RJ45 MAGNETIC JACK WITHOUT LED, 10P, 8C
 SHIELDED/10/100/1000 Mbps FILTER**

EDAC INC
 TORONTO, ONTARIO
 CANADA

YOUR CONNECTION TO QUALITY & SERVICE

THESE DRAWINGS AND SPECIFICATIONS ARE THE PROPERTY OF EDAC INC. AND SHALL NOT BE REPRODUCED OR COPIED OR USED AS THE BASIS FOR THE MANUFACTURE OR SALE OF APPARATUS WITHOUT WRITTEN PERMISSION.

ACAD REFERENCE NO.: A60-113-300P492

DRAWN: R.STA.MONICA DATE: JAN.24/2011

CHECKED: DATE:

PART NUMBER SHEET 1 OF 2

SEE NOTE

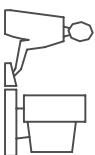
DRAWING NUMBER ISSUE

A60-112-300P492 1

ELECTRICAL CIRCUIT:

TOLERANCE UNLESS OTHERWISE SPECIFIED IN MM:		ANGLE	3°
0	± 0.50		
0.0	± 0.38		
0.00	± 0.25		
0.000	± 0.10		

THIS IS A C.A.D. GENERATED DRAWING
DO NOT MAKE MANUAL REVISIONS TO MASTER.

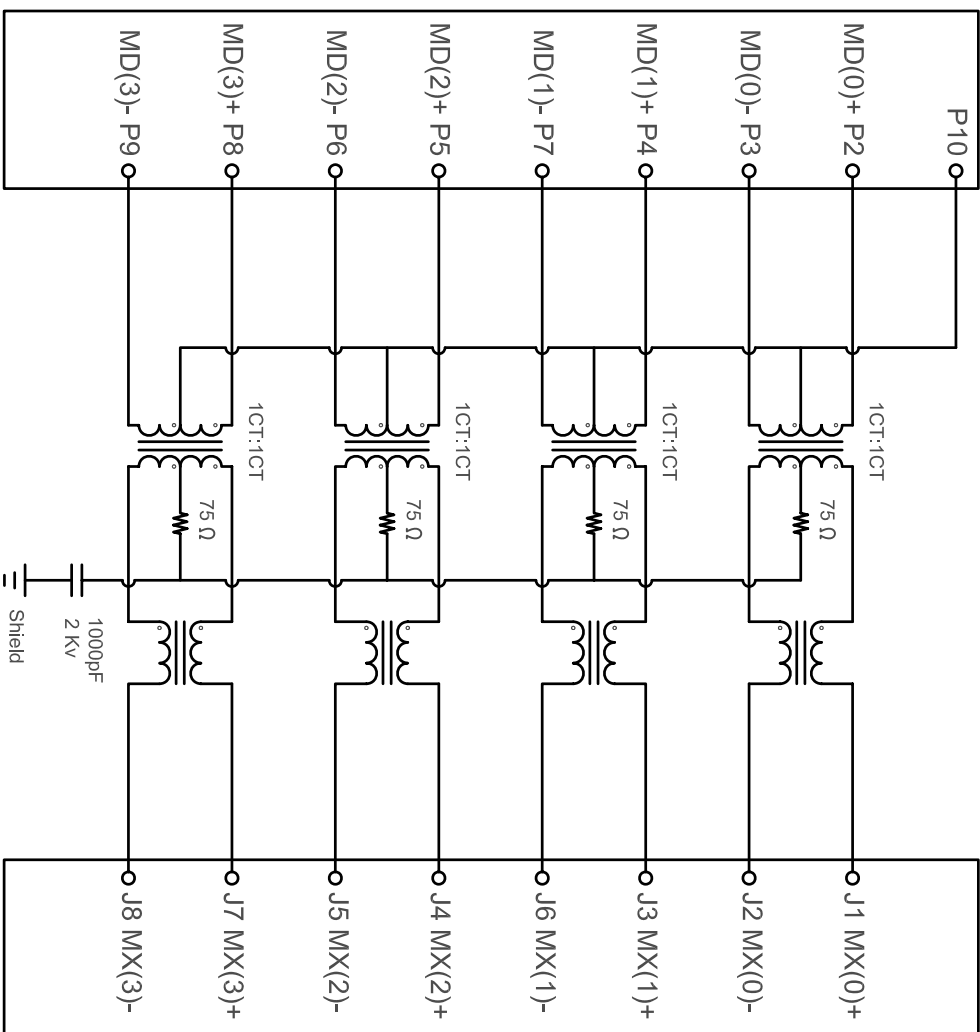


ISSUE NUMBER
ORIGINAL

1

CONNECTOR SOLDER SIDE

RJ45 CONTACT SIDE



TEST NOTES:(25°±5°C)

1. TR:(100KHz,0.1V): 100%
PINS:(P2,P3):(J1,J2)=1:1±3%:(P4,P5):(J3,J6)=1:1±3%
PINS:(P5,P6):(J4,J5)=1:1±3%:(P8,P9):(J7,J8)=1:1±3%
2. LX:(100KHz,100mV,8mA, DC Bias) 100%
PINS:(P2,P3),(P4,P7),(P5,P6),(P8,P9)=350uH MINIMUM
3. DCR: 100%
PINS:(J1,J2),(J3,J6),(J4,J5),(J7,J8)=1.2Ω MAXIMUM
4. HIPOT: 100%
PINS:(P2,P3)TO(J1,J2),(P4,P7)TO(J3,J6)=1500VAC FOR 2 SECONDS
PINS:(P5,P6)TO(J4,J5),(P8,P9)TO(J7,J8)=1500VAC FOR 2 SECONDS
5. INSERTION LOSS:
-1.0dB MAXIMUM AT 1 MHz TO 100MHZ;
6. RETURN LOSS:
-20dB MINIMUM AT 1MHZ TO 30MHZ;
-15dB MINIMUM AT 30MHZ TO 60MHZ
-10dB MINIMUM AT 60MHZ TO 80MHZ
7. CROSS TALK:
-30dB MINIMUM AT 0.1MHZ TO 100MHZ
-30dB MINIMUM AT 0.1MHZ TO 100MHZ
8. COMMON TO COMMON MODE REJECTION:
-30dB MINIMUM AT 300KHz TO 100MHZ

RJ45 MAGNETIC JACK WITHOUT LED, 10P, 8C
SHIELDED/10/100/1000 Mbps FILTER

ACAD REFERENCE NO.: A60-113-300P492

DRAWN: R.STA.MONICA DATE: JAN.24/2011

CHECKED: DATE:

PART NUMBER

SEE NOTE

SHEET 2 OF 2

DRAWING NUMBER

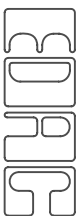
A60-112-300P492

ISSUE

1



THIS SERIES FULLY CONFORMS TO THE
EUROPEAN UNION DIRECTIVES 2002/95/EC
AND 2002/96/EC FOR RoHS COMPLIANCY.



EDAC INC
TORONTO, ONTARIO
CANADA

YOUR CONNECTION TO QUALITY & SERVICE