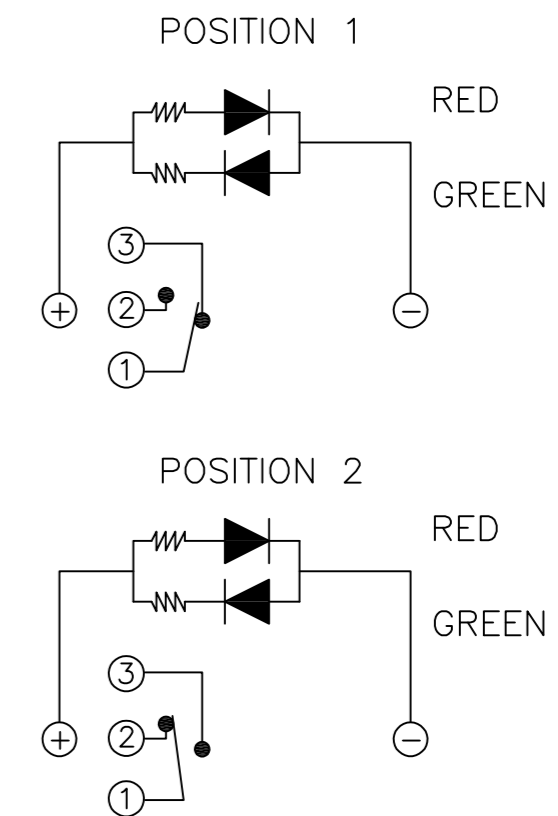
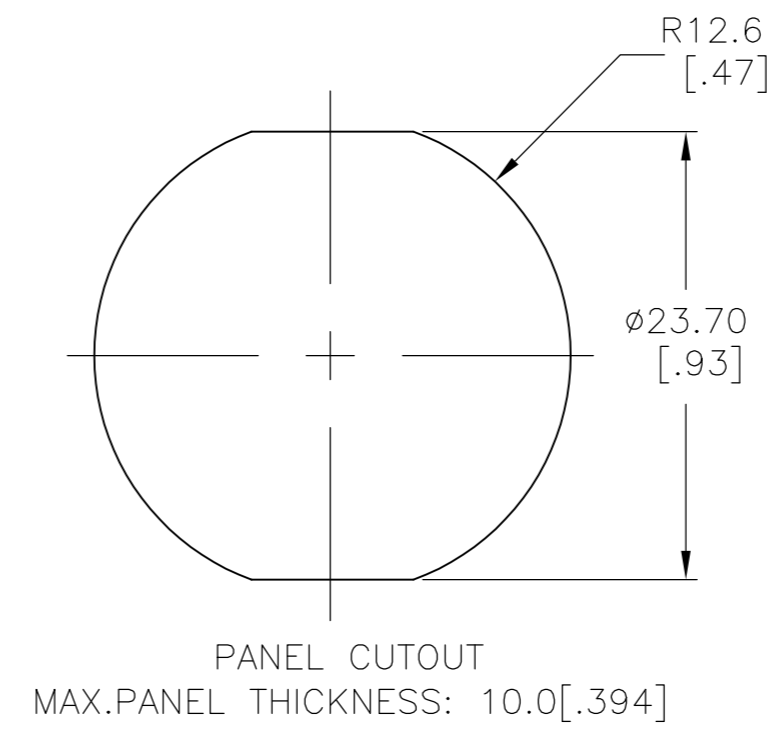
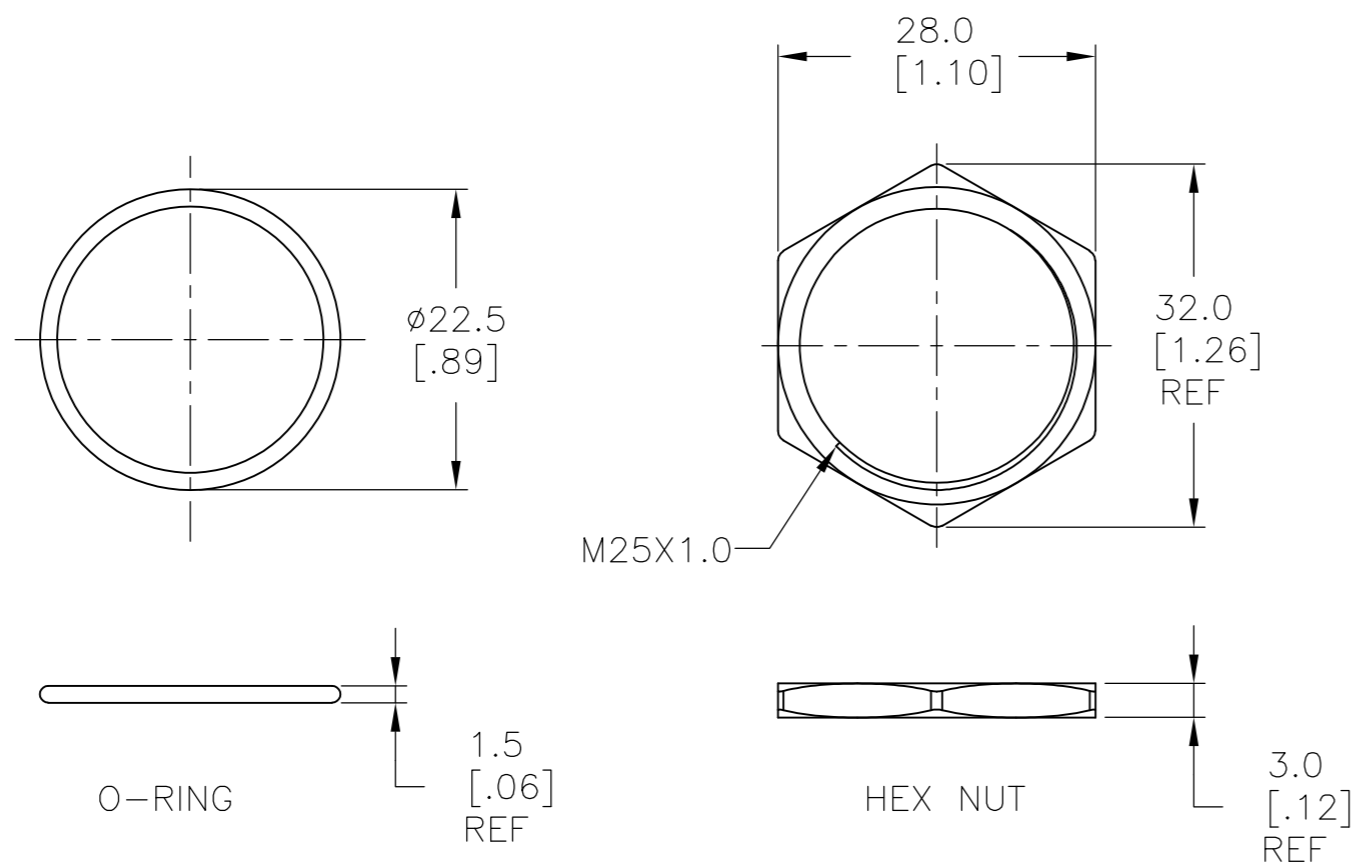
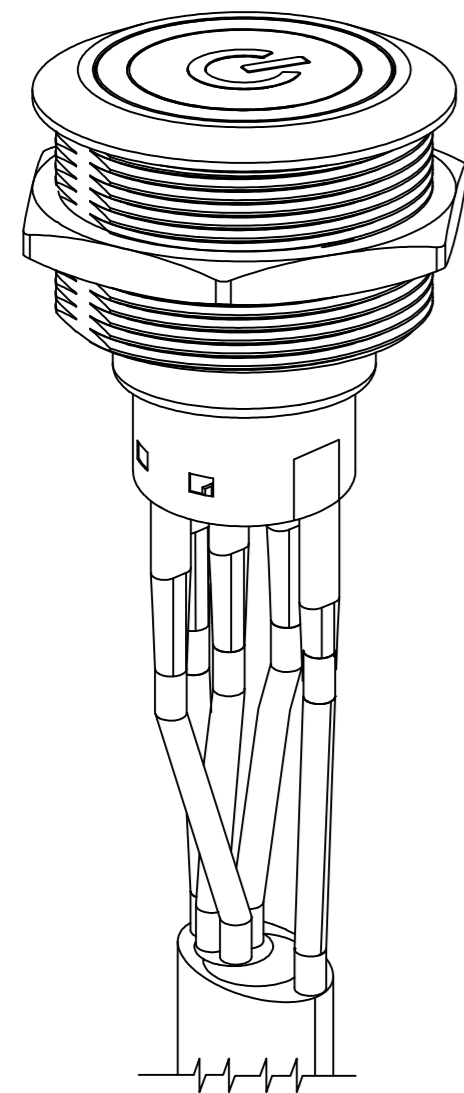
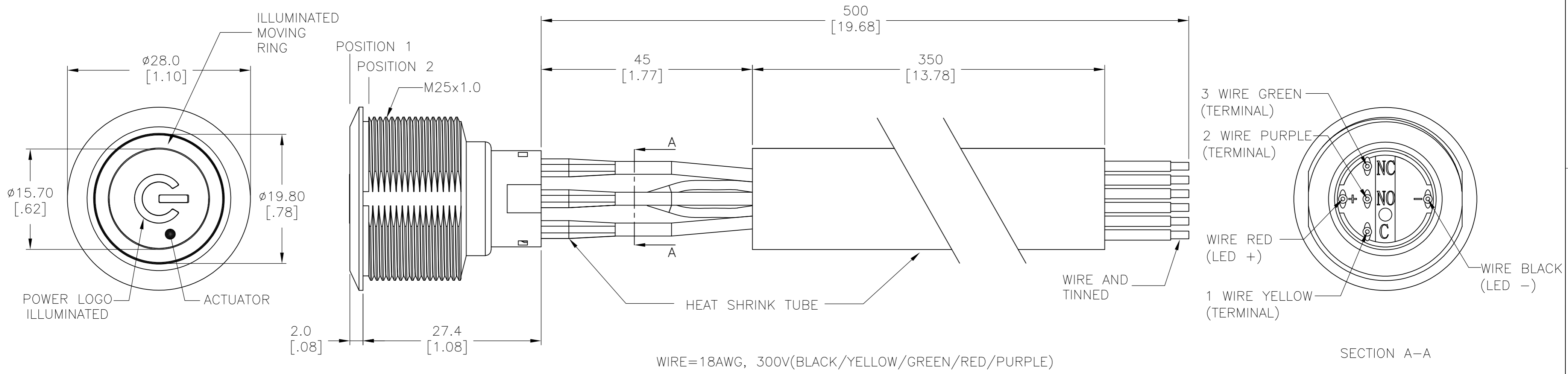


REVISIONS					
P	LTR	DESCRIPTION	DATE	DWN	APVD
A		INITIAL RELEASE	10MAY2017	SK	AS

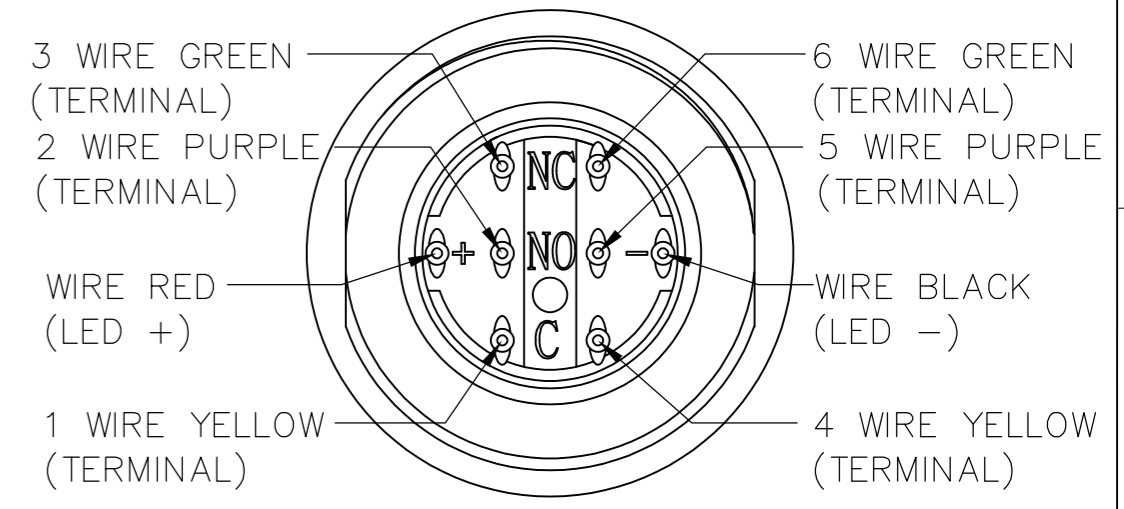
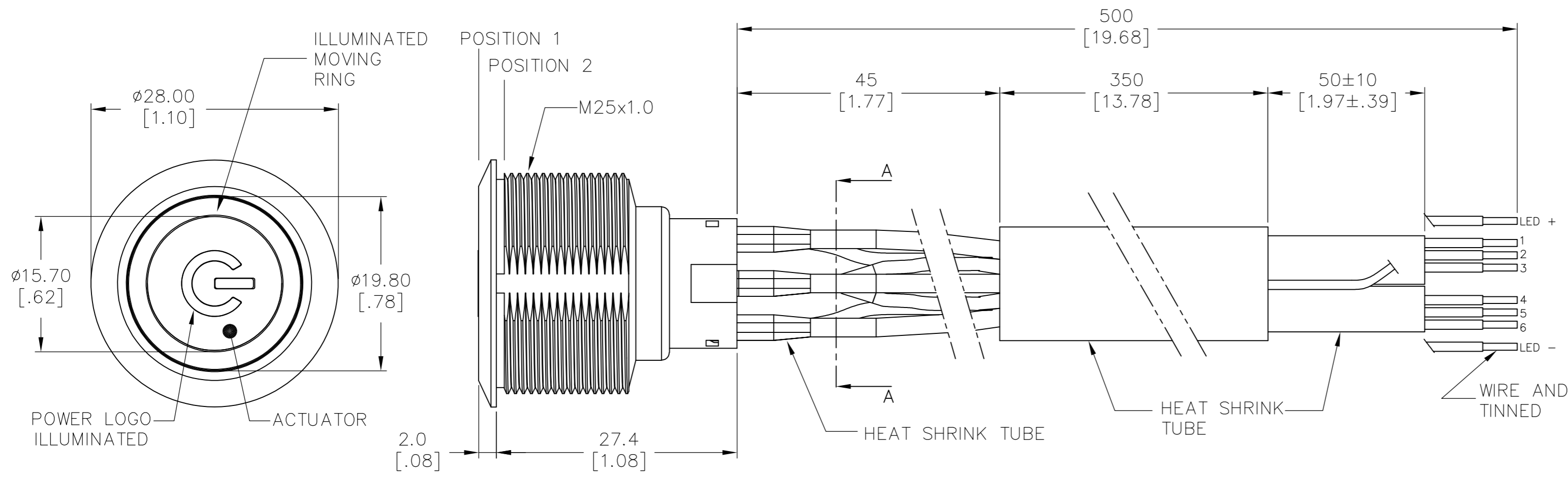
SINGLE POLE SWITCH WITH DUAL COLOR LED'S AND FLYING LEADS



THIS DRAWING IS A CONTROLLED DOCUMENT.		DWN 15MAR2017 SHIVAKUMAR S S		
DIMENSIONS: mm [INCHES]		CHK 15FEB2017 ALEXANDER SHARPE		
TOLERANCES UNLESS OTHERWISE SPECIFIED:		APVD 15FEB2017 ALEXANDER SHARPE	NAME ANTI-VANDAL SWITCH 25mm, MOVING RING LED PLUS POWER LOGO AND FLYING LEADS	
0 PLC ± -	1 PLC ± 0.4 [.016]	PRODUCT SPEC	SIZE	CAGE CODE
2 PLC ± 0.25 [.010]	3 PLC ± -	APPLICATION SPEC	A2	00779
4 PLC ± -	ANGLES ± 2°	WEIGHT	DRAWING NO C=2317659	
MATERIAL	FINISH	0	RESTRICTED TO	
CUSTOMER DRAWING		SCALE 1:1	SHEET 1 OF 3	REV A

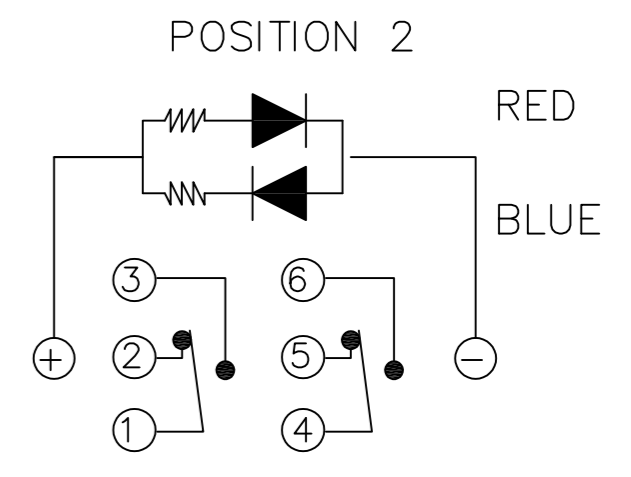
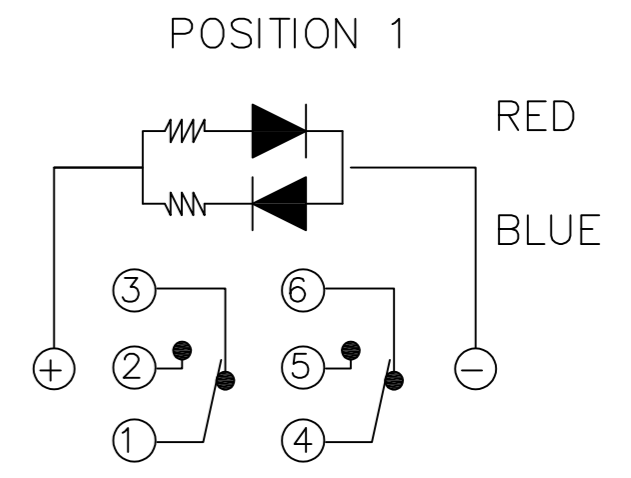
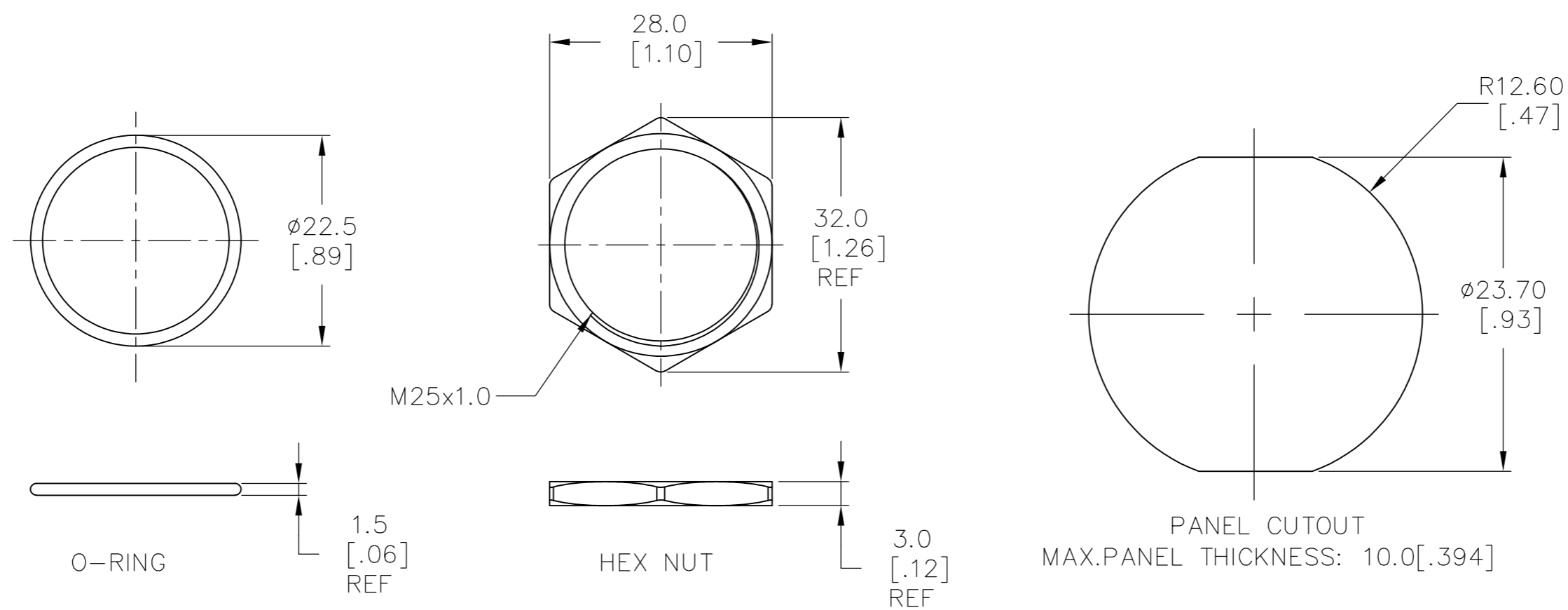
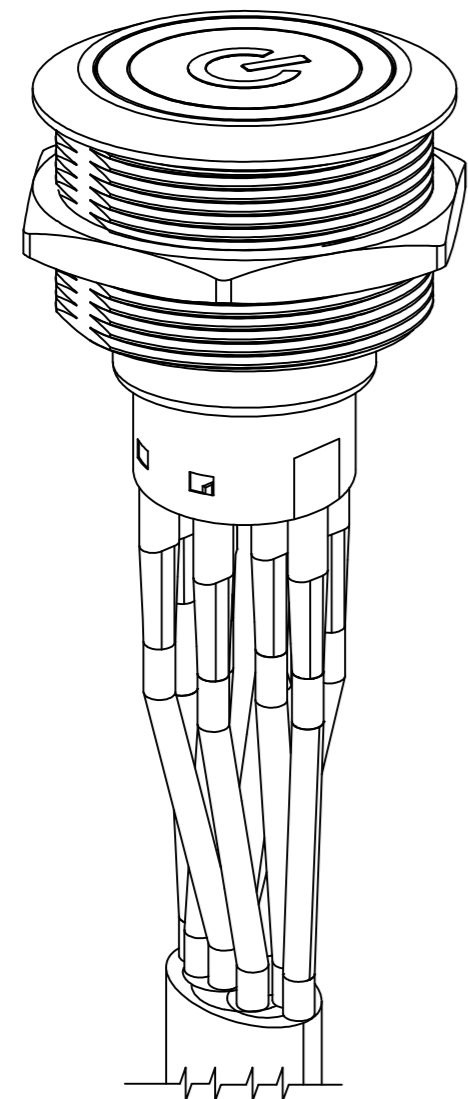
REVISIONS					
P	LTR	DESCRIPTION	DATE	DWN	APVD
-	-	SEE SHEET 1	-	-	-

DOUBLE POLE SWITCH WITH DUAL COLOR LED'S AND FLYING LEADS



WIRE=18AWG, 300V(BLACK/YELLOW/GREEN/RED/PURPLE)

SECTION A-A



THIS DRAWING IS A CONTROLLED DOCUMENT.		DWN 15MAR2017 SHIVAKUMAR S S			
DIMENSIONS: mm [INCHES]		CHK 15FEB2017 ALEXANDER SHARPE			
TOLERANCES UNLESS OTHERWISE SPECIFIED:		APVD 15FEB2017 ALEXANDER SHARPE	NAME		
0 PLC ± -	1 PLC ± 0.4[.016]	PRODUCT SPEC	ANTI-VANDAL SWITCH 25mm, MOVING RING LED PLUS POWER LOGO AND FLYING LEADS		
2 PLC ± 0.25[.010]	3 PLC ± -	APPLICATION SPEC	SIZE	CAGE CODE	DRAWING NO
4 PLC ± -	ANGLES ± 2°	MATERIAL	0	A2 00779	C=2317659
FINISH		WEIGHT	CUSTOMER DRAWING		RESTRICTED TO
		SCALE	1:1	SHEET	2 of 3
		REV	A		

THIS DRAWING IS UNPUBLISHED. RELEASED FOR PUBLICATION
 © COPYRIGHT - TE Connectivity ALL RIGHTS RESERVED.

REVISIONS				
P	LTR	DESCRIPTION	DATE	APVD
-	-	SEE SHEET 1	-	-

SPECIFICATION:


CONTACT RATING: SILVER; 3A @ 250VAC RESISTIVE
 GOLD; 0.4A @ 20VDC OR PEAK AC
 INSULATION RESISTANCE: 1,000MΩ MIN AT 500VDC
 DIELECTRIC STRENGTH: 2,000V RMS @ SEA LEVEL
 CONTACT RESISTANCE: 50mΩ MAX @ 1A 12VDC (INITIAL VALUE), SOLDER TERMINALS
 100mΩ MAX @ 1A 12VDC (INITIAL VALUES), FLYING LEADS.
 ELECTRICAL LIFE CYCLES: 50,000 MAKE AND BREAK CYCLES AT FULL LOAD.
 ACTUATION FORCE: SP: 2.5±1 NEWTON. DP: 3.5±1 NEWTON
 ACTUATION TRAVEL: 3.2MM
 SEALED PER IP67, IK08 (STAINLESS)
 OPERATING TEMPERATURE: -20°C TO +55°C
 MECHANICAL LIFECYCLES: MOMENTARY; 1,000,000 CYCLES
 LOCKING; 500,000 CYCLES
 HARDWARE TORQUE: 5-14 N-m.

MATERIALS

BUSHING: STAINLESS STEEL,
 BASE: PBT (UL 94-V0), PC (UL 94-V2),
 ACTUATOR: STAINLESS STEEL, PC
 SEALING: O-RING (SILICONE),
 TERMINAL/CONTACT: COPPER BASE, SILVER/GOLD PLATED,
 HEX NUT: BRASS BASE, NICKEL PLATED,
 WIRE: UL3385.

- ALL MATERIAL AND FINISHES SHALL COMPLY WITH EU DIRECTIVE 2002/95/EC OF 27JAN2003(ROHS).

CONTACT FINISH	LIGHT TYPE	TERMINAL OPTION	POLE/THROW	LED COLOR	LED VOLTAGE	TE DESCRIPTIVE PART NUMBER	TE PART NUMBER
SILVER	MOVING RING PLUS POWER LOGO	FLYING LEADS TERMINALS	DOUBLE POLE - MOMENTARY	RED & BLUE	24V	AV2520MB24T5Q04	1-2317659-2
				RED & BLUE	12V	AV2520MB12T5Q04	1-2317659-1
				RED & GREEN	24V	AV2520MA24T5Q04	1-2317659-0
				RED & GREEN	12V	AV2520MA12T5Q04	2317659-9
			SINGLE POLE - LOCKING	RED & BLUE	24V	AV2511MB24T5Q04	2317659-8
				RED & BLUE	12V	AV2511MB12T5Q04	2317659-7
				RED & GREEN	24V	AV2511MA24T5Q04	2317659-6
				RED & GREEN	12V	AV2511MA12T5Q04	2317659-5
			SINGLE POLE - MOMENTARY	RED & BLUE	24V	AV2510MB24T5Q04	2317659-4
				RED & BLUE	12V	AV2510MB12T5Q04	2317659-3
				RED & GREEN	24V	AV2510MA24T5Q04	2317659-2
				RED & GREEN	12V	AV2510MA12T5Q04	2317659-1

THIS DRAWING IS A CONTROLLED DOCUMENT.		DWN 15MAR2017 SHIVAKUMAR S S	 TE Connectivity	
DIMENSIONS: mm [INCHES]		CHK 15FEB2017 ALEXANDER SHARPE		
TOLERANCES UNLESS OTHERWISE SPECIFIED:		APVD 15FEB2017 ALEXANDER SHARPE	NAME	
0 PLC ± -		PRODUCT SPEC	ANTI-VANDAL SWITCH 25mm, MOVING RING LED PLUS POWER LOGO AND FLYING LEADS	
1 PLC ± 0.4[.016]		APPLICATION SPEC	-	
2 PLC ± 0.25[.010]		WEIGHT 0	SIZE A2	CAGE CODE 00779
3 PLC ± -		FINISH -	DRAWING NO C=2317659	RESTRICTED TO -
4 PLC ± -		MATERIAL -	SCALE 1:1	SHEET 3 of 3
ANGLES ± 2°		CUSTOMER DRAWING	REV A	