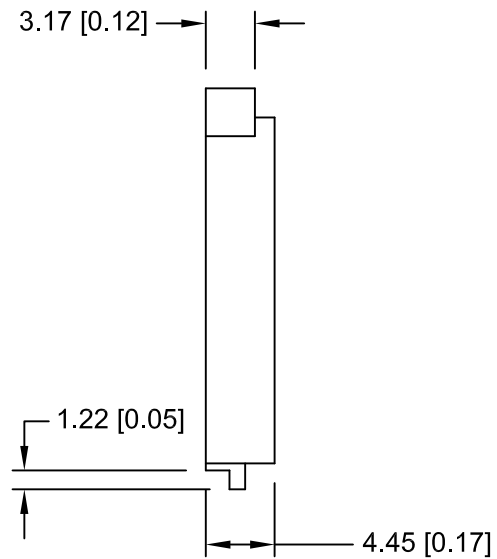
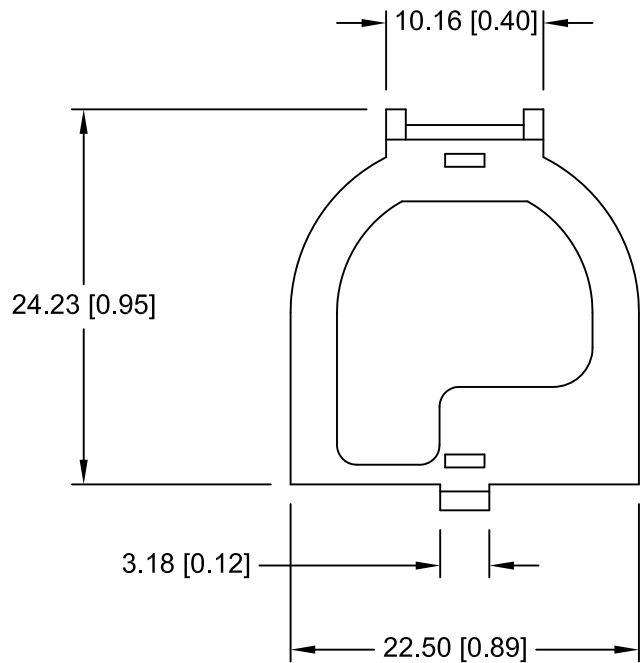



Date	SYM	REVISION RECORD	AUTH	DR.	CK.
02/15/13	A	UPDATED DESIGN	T.B.	B.S.	
3/07/14	B	UPDATED TO ROHS 2 COMPLIANT	T.B.	B.S.	
9/12/14	C	UPDATED DESIGN	T.B.	B.S.	



**SPECIFICATIONS:**

- \* MATERIAL: CLEAR POLYPROPYLENE, UL 94-HB, UL FILE # E216959
- \* TEMPERATURE RANGE: -40°C TO +80°C
- \* ROHS 2 COMPLIANT

Tolerance (Except as noted)	 <b>Memory Protection Devices, Inc</b> 200 Broad Hollow Road, Farmingdale, New York 11735	Scale	Drawn By B.S.
			Approved By T.B.
decimal ±.5 (.020)	Title CR2032 VERTICAL BATTERY HOLDER COVER		
Fractional ± .8 (.030)	Date 9/12/14	Drawing Number BVSD-2032-COVER	
Angular ± 3°			