

NOTES:

1.0 ELECTRICAL SPECIFICATIONS:

- 1.1 FREQUENCY RANGE: 0.0 TO 2.0 GHz
- 1.2 COUPLING: SEE TABLE
- 1.3 FREQUENCY SENSITIVITY: ± 0.5 dB
- 1.4 DIRECTIVITY: 18dB MIN.
- 1.5 VSWR: 1.20:1 MAX.
- 1.6 INSERTION LOSS: 0.5dB MAX.
(EXCLUDING COUPLED POWER)
- 1.7 POWER: SEE TABLE
- 1.8 RF IMPEDANCE: 50 OHMS
- 1.9 WEIGHT (MAX): 10.4 oz

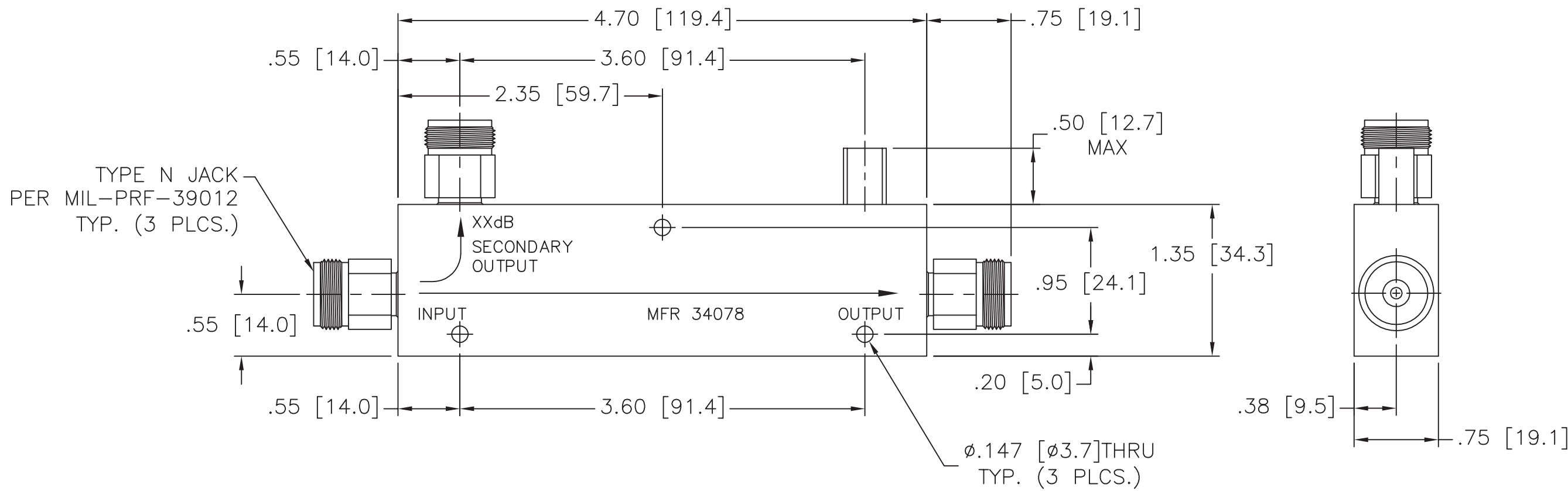
2.0 FINISHING:

- 2.1 GREY PER MIL-E-15090 TYPE II, CLASS 2
OVER MIL-C-5541 CLASS 3A
MEETS MIL-F-14072
MEETS MIL-E-5400
- 2.2 MARKING: MARK UNIT AS SHOWN

3.0 DIMENSIONS IN BRACKETS ARE IN MILLIMETERS.

MIDWEST MODEL NUMBER CPL-5220-XX-NNN-79	COUPLING	POWER (WATTS)		
		INPUT	REF.	PEAK
CPL-5220-06-NNN-79	6 ± 1.0 dB	50	10	4000
CPL-5220-10-NNN-79	10 ± 1.0 dB	50	10	4000
CPL-5220-16-NNN-79	16 ± 1.0 dB	50	40	4000
CPL-5220-20-NNN-79	20 ± 1.0 dB	50	50	4000

MODEL NUMBER
CPL-5220-XX-NNN-79



REV.	DESCRIPTION	DATE
-	RELEASED	6/26/96
A	ECN 15762	2/10/96
B	ECN 16429	1/6/98
C	ECN 16472	2/3/98
C1	ADD TITLEBLOCK	4/22/05
C2	ECO 22339	2/18/10

NOTICE: The information contained in this drawing is proprietary and must not be used without the permission of Cinch Connectivity Solutions.

UNLESS OTHERWISE NOTED DIMENSIONS ARE IN INCHES AND TOLERANCES ARE:
 3 PLACE DECIMALS $\pm .005$
 2 PLACE DECIMALS $\pm .020$
 FRACTIONS $\pm 1/64$
 PARALLELITY: T.I.R. _____
 FLATNESS: T.I.R. _____
 CONCENTRICITY: T.I.R. _____
 ANGLES AND PERPENDICULARITY: $\pm 1^\circ$

CAGE CODE
34078 **MIDWEST MICROWAVE**

cinch
CONNECTIVITY SOLUTIONS
a bel group

TITLE
DIRECTIONAL COUPLER
OUTLINE DRAWING

DRAWING NUMBER
CPL-5220-XX-NNN-79-01

REV.
C2

SCALE: 1:1 SHEET 1 of 1

DRAWN/DATE
M. STAFFORD
6/21/96

ENG./DATE
J. O'NEIL
6/26/96

CHECKED/DATE
J. VERNON
6/24/96

APPROVED/DATE