

□

PIR Motion Sensor

Created by lady ada



Last updated on 2016-09-10 03:37:04 AM UTC

Guide Contents

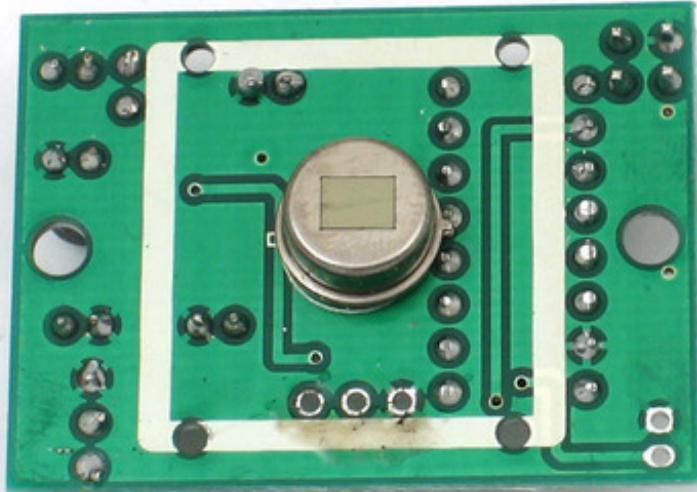
Guide Contents	2
Overview	3
Some Basic Stats	5
How PIRs Work	7
The PIR Sensor	8
Lenses	10
Connecting to a PIR	16
Testing a PIR	18
Retriggering	19
Changing sensitivity	22
Changing Pulse Time and Timeout Length	22
For older/other PIR sensors	23
Using a PIR	25
Reading PIR Sensors	25
Example Projects	27
Buy a PIR Motion Sensor	31

Overview

PIR sensors allow you to sense motion, almost always used to detect whether a human has moved in or out of the sensors range. They are small, inexpensive, low-power, easy to use and don't wear out. For that reason they are commonly found in appliances and gadgets used in homes or businesses. They are often referred to as PIR, "Passive Infrared", "Pyroelectric", or "IR motion" sensors.

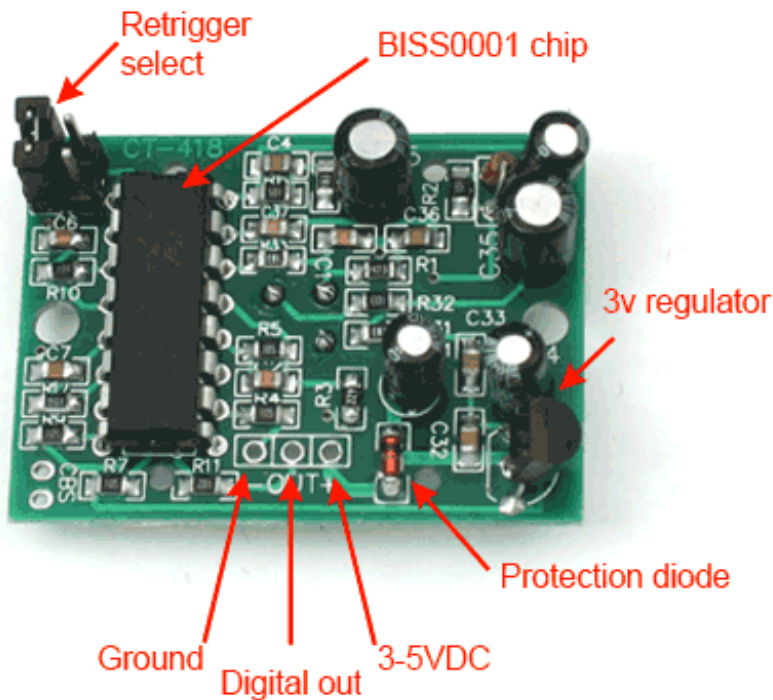


PIRs are basically made of a [pyroelectric sensor](http://adafruit.it/aKh) (http://adafruit.it/aKh) (which you can see above as the round metal can with a rectangular crystal in the center), which can detect levels of infrared radiation. Everything emits some low level radiation, and the hotter something is, the more radiation is emitted. The sensor in a motion detector is actually split in two halves. The reason for that is that we are looking to detect motion (change) not average IR levels. The two halves are wired up so that they cancel each other out. If one half sees more or less IR radiation than the other, the output will swing high or low.



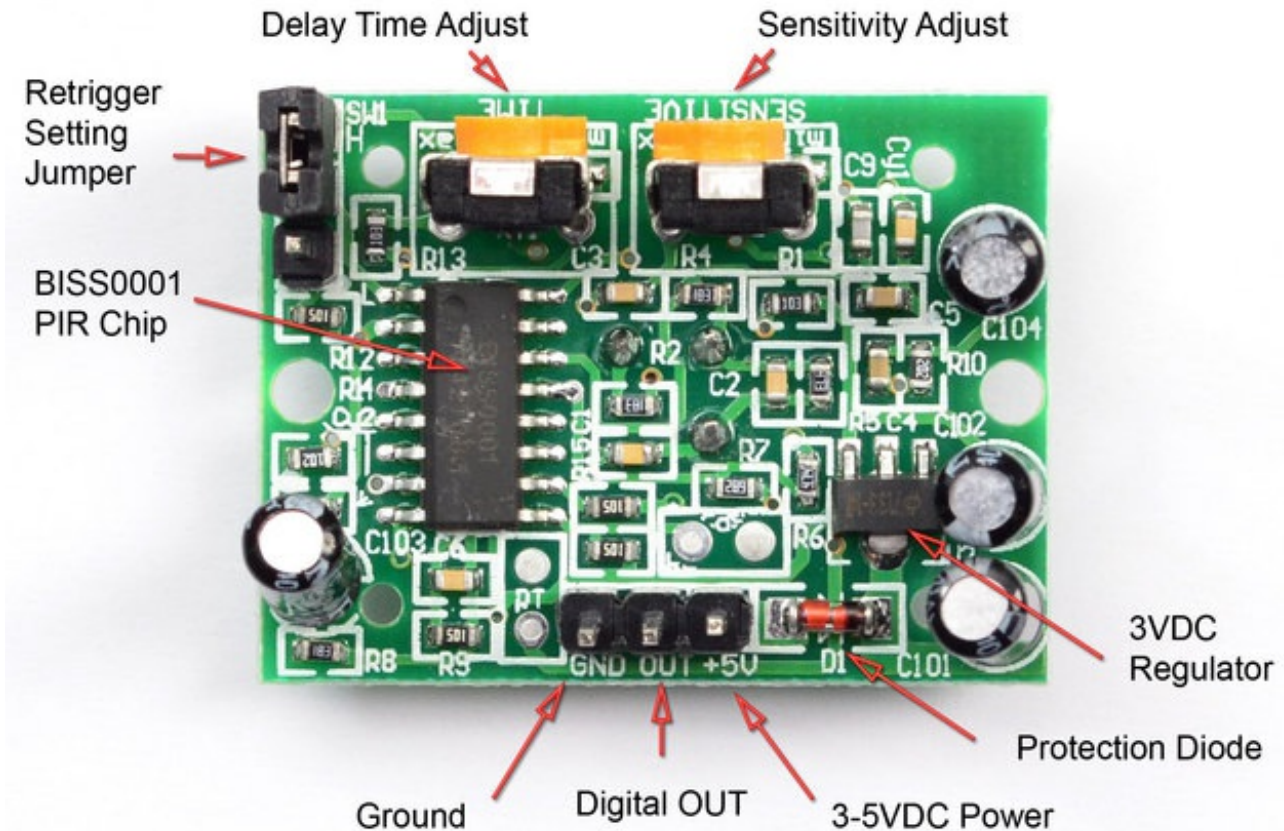
Along with the pyroelectric sensor is a bunch of supporting circuitry, resistors and capacitors. It seems that most small hobbyist sensors use the [BISS0001](http://adafruit.com/products/103) ("Micro Power PIR Motion Detector IC") (<http://adafruit.it/clr>), undoubtedly a very inexpensive chip. This chip takes the output of the sensor and does some minor processing on it to emit a digital output pulse from the analog sensor.

Our older PIRs looked like this:



Our new PIRs have more adjustable settings and have a header installed in the 3-pin

ground/out/power pads



For many basic projects or products that need to detect when a person has left or entered the area, or has approached, PIR sensors are great. They are low power and low cost, pretty rugged, have a wide lens range, and are easy to interface with. Note that PIRs won't tell you how many people are around or how close they are to the sensor, the lens is often fixed to a certain sweep and distance (although it can be hacked somewhere) and they are also sometimes set off by housepets. Experimentation is key!

Some Basic Stats

These stats are for the PIR sensor in the Adafruit shop which is very much [like the Parallax one](http://adafru.it/aKj) (<http://adafru.it/aKj>) . Nearly all PIRs will have slightly different specifications, although they all pretty much work the same. If there's a datasheet, you'll want to refer to it

- **Size:** Rectangular
- **Price:** [\\$10.00 at the Adafruit shop](http://adafru.it/aIH) (<http://adafru.it/aIH>)
- **Output:** Digital pulse high (3V) when triggered (motion detected) digital low when idle (no motion detected). Pulse lengths are determined by resistors and capacitors on the PCB and differ from sensor to sensor.

- **Sensitivity range:** up to 20 feet (6 meters) 110° x 70° detection range
- **Power supply:** 5V-12V input voltage for most modules (they have a 3.3V regulator), but 5V is ideal in case the regulator has different specs
- **[BIS0001 Datasheet \(http://adafru.it/cIR\)](http://adafru.it/cIR)** (the decoder chip used)
- **[RE200B datasheet \(http://adafru.it/cIS\)](http://adafru.it/cIS)** (most likely the PIR sensing element used)
- **[NL11NH datasheet \(http://adafru.it/cIT\)](http://adafru.it/cIT)** (equivalent lens used)
- **[Parallax Datasheet on their version of the sensor\(http://adafru.it/cIU\)](http://adafru.it/cIU)**

More links!

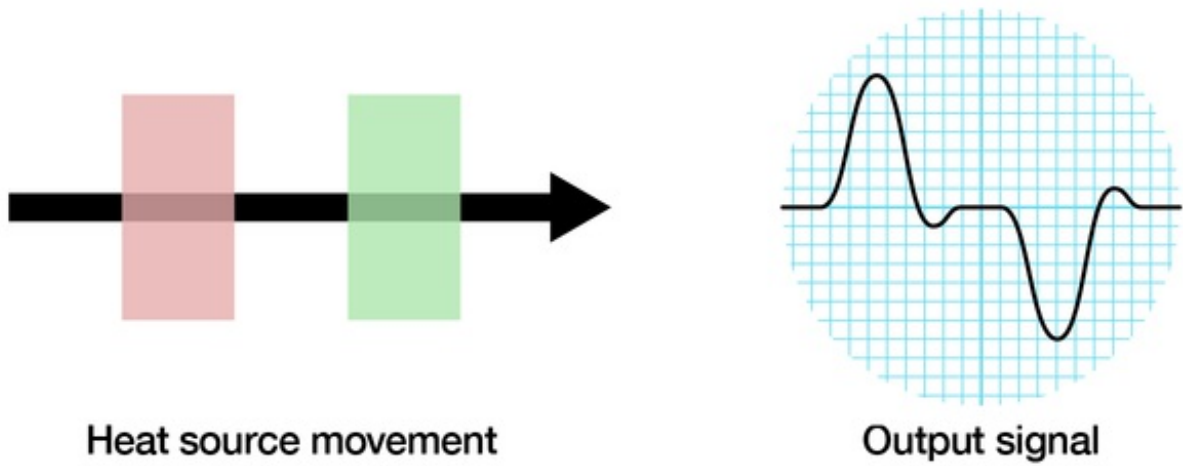
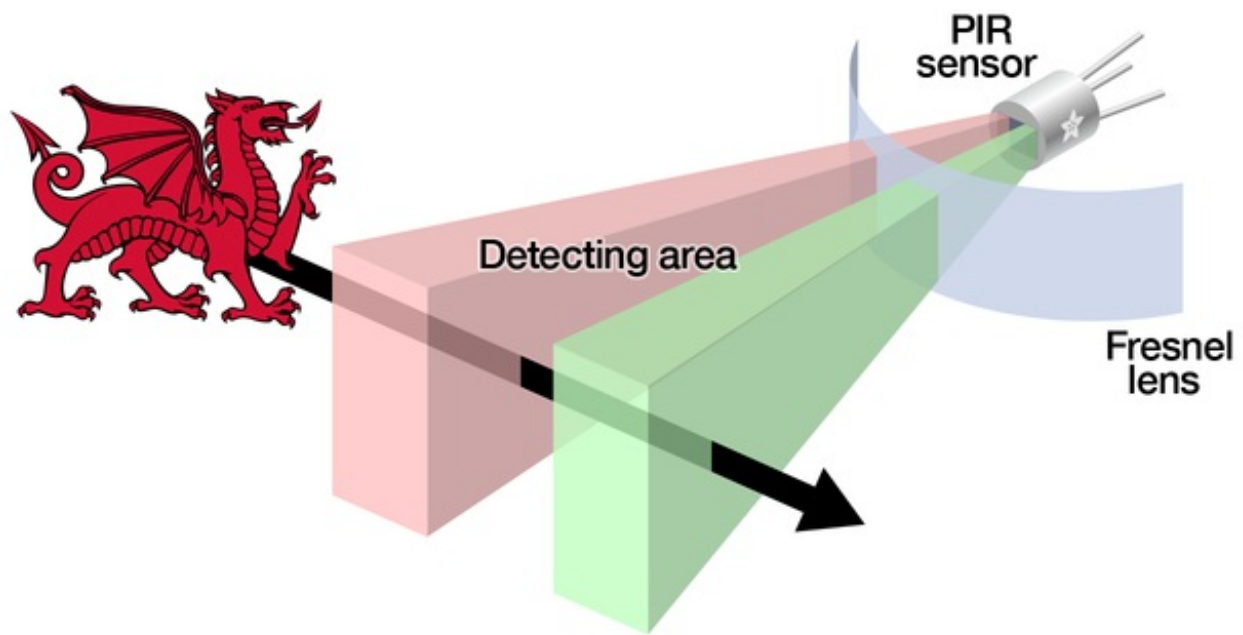
- **[A great page on PIR sensors from GLOLAB \ \(http://adafru.it/aKn\)](http://adafru.it/aKn)**



How PIRs Work

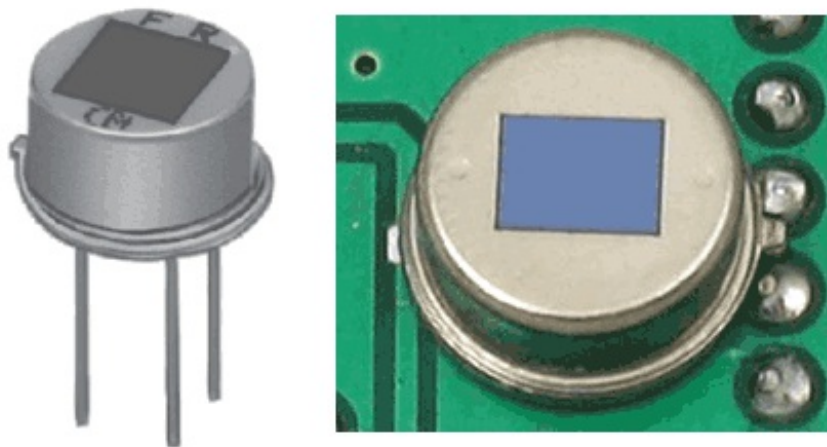
PIR sensors are more complicated than many of the other sensors explained in these tutorials (like photocells, FSRs and tilt switches) because there are multiple variables that affect the sensors input and output. To begin explaining how a basic sensor works, we'll use this rather nice diagram

The PIR sensor itself has two slots in it, each slot is made of a special material that is sensitive to IR. The lens used here is not really doing much and so we see that the two slots can 'see' out past some distance (basically the sensitivity of the sensor). When the sensor is idle, both slots detect the same amount of IR, the ambient amount radiated from the room or walls or outdoors. When a warm body like a human or animal passes by, it first intercepts one half of the PIR sensor, which causes a *positive differential* change between the two halves. When the warm body leaves the sensing area, the reverse happens, whereby the sensor generates a negative differential change. These change pulses are what is detected.



The PIR Sensor

The IR sensor itself is housed in a hermetically sealed metal can to improve noise/temperature/humidity immunity. There is a window made of IR-transmissive material (typically coated silicon since that is very easy to come by) that protects the sensing element. Behind the window are the two balanced sensors.



Left image from Murata datasheet (<http://adafru.it/cm5>)

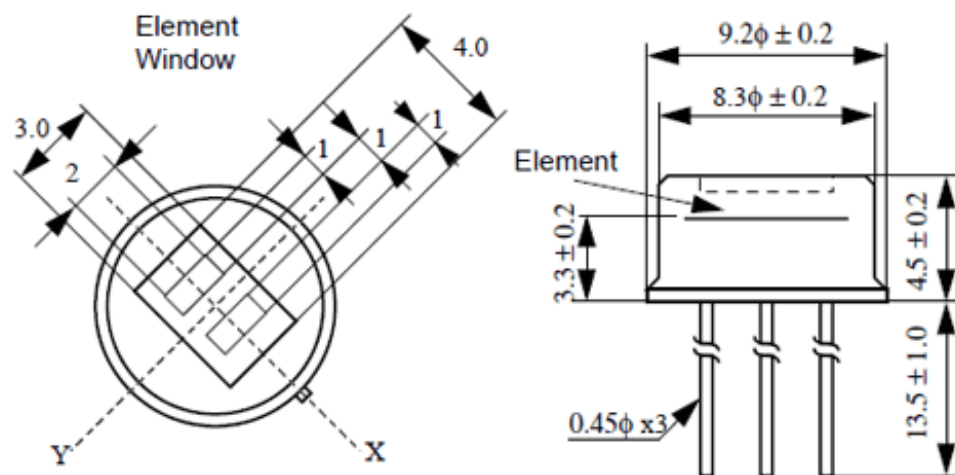


Image from RE200B datasheet (<http://adafru.it/cIS>)

You can see above the diagram showing the element window, the two pieces of sensing material

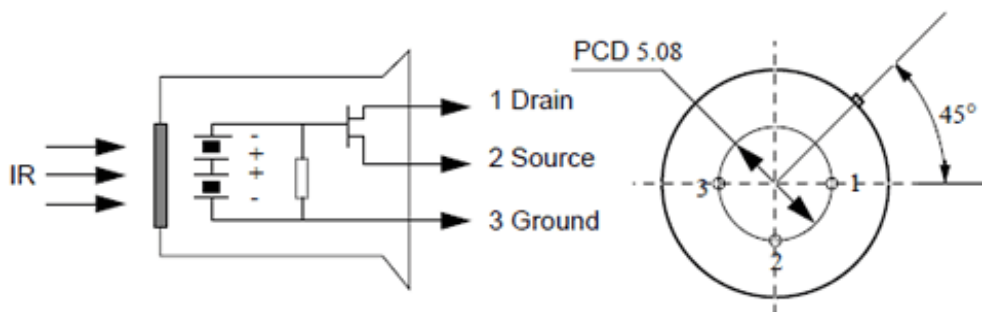


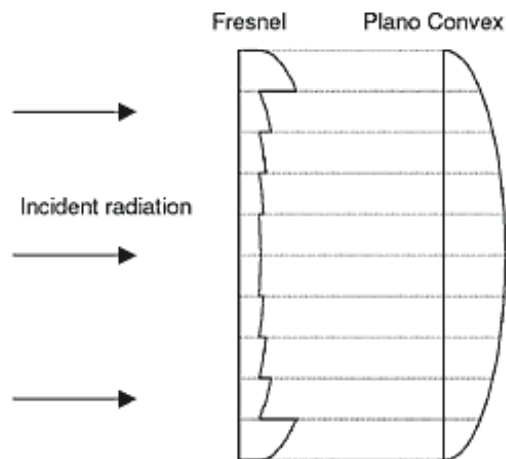
Image from RE200B datasheet (<http://adafru.it/cIS>)

This image shows the internal schematic. There is actually a JFET inside (a type of transistor) which is very low-noise and buffers the extremely high impedance of the sensors into something a low-cost chip (like the BIS0001) can sense.

Lenses

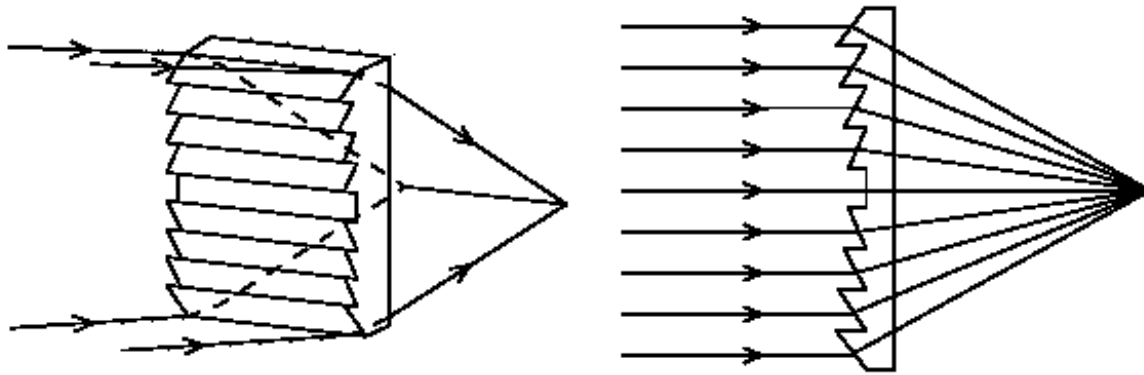
PIR sensors are rather generic and for the most part vary only in price and sensitivity. Most of the real magic happens with the optics. This is a pretty good idea for manufacturing: the PIR sensor and circuitry is fixed and costs a few dollars. The lens costs only a few cents and can change the breadth, range, sensing pattern, very easily.

In the diagram up top, the lens is just a piece of plastic, but that means that the detection area is just two rectangles. Usually we'd like to have a detection area that is much larger. To do that, we use [a simple lens](http://adafru.it/aKq) such as those found in a camera: they condense a large area (such as a landscape) into a small one (on film or a CCD sensor). For reasons that will be apparent soon, we would like to make the PIR lenses small and thin and moldable from cheap plastic, even though it may add distortion. For this reason the sensors are actually [Fresnel lenses](http://adafru.it/aKr):

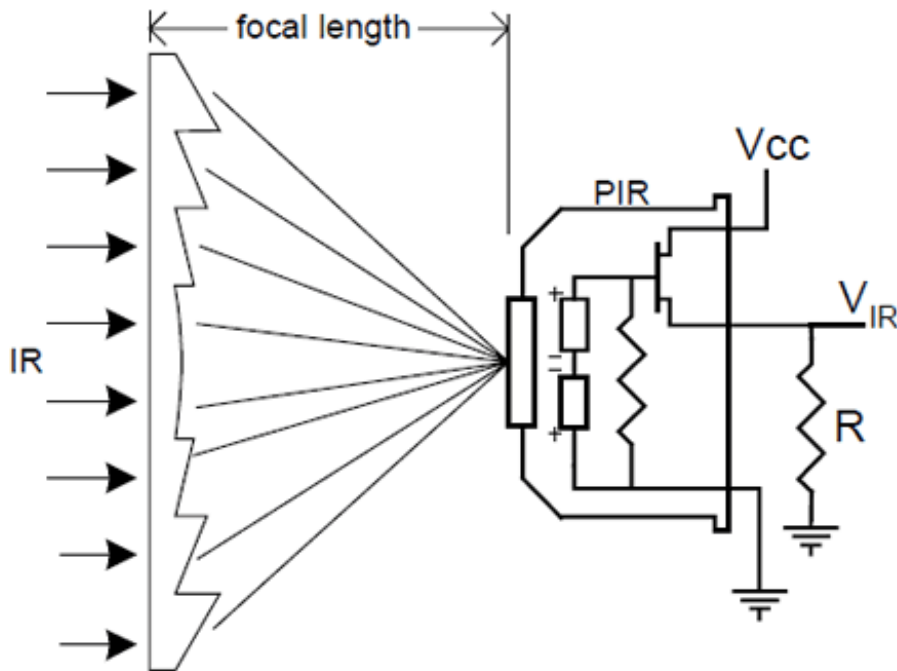


[Image from Sensors Magazine](http://adafru.it/aKs)

The Fresnel lens condenses light, providing a larger range of IR to the sensor.



[Image from BHlens.com \(http://adafru.it/aKt\)](http://adafru.it/aKt)

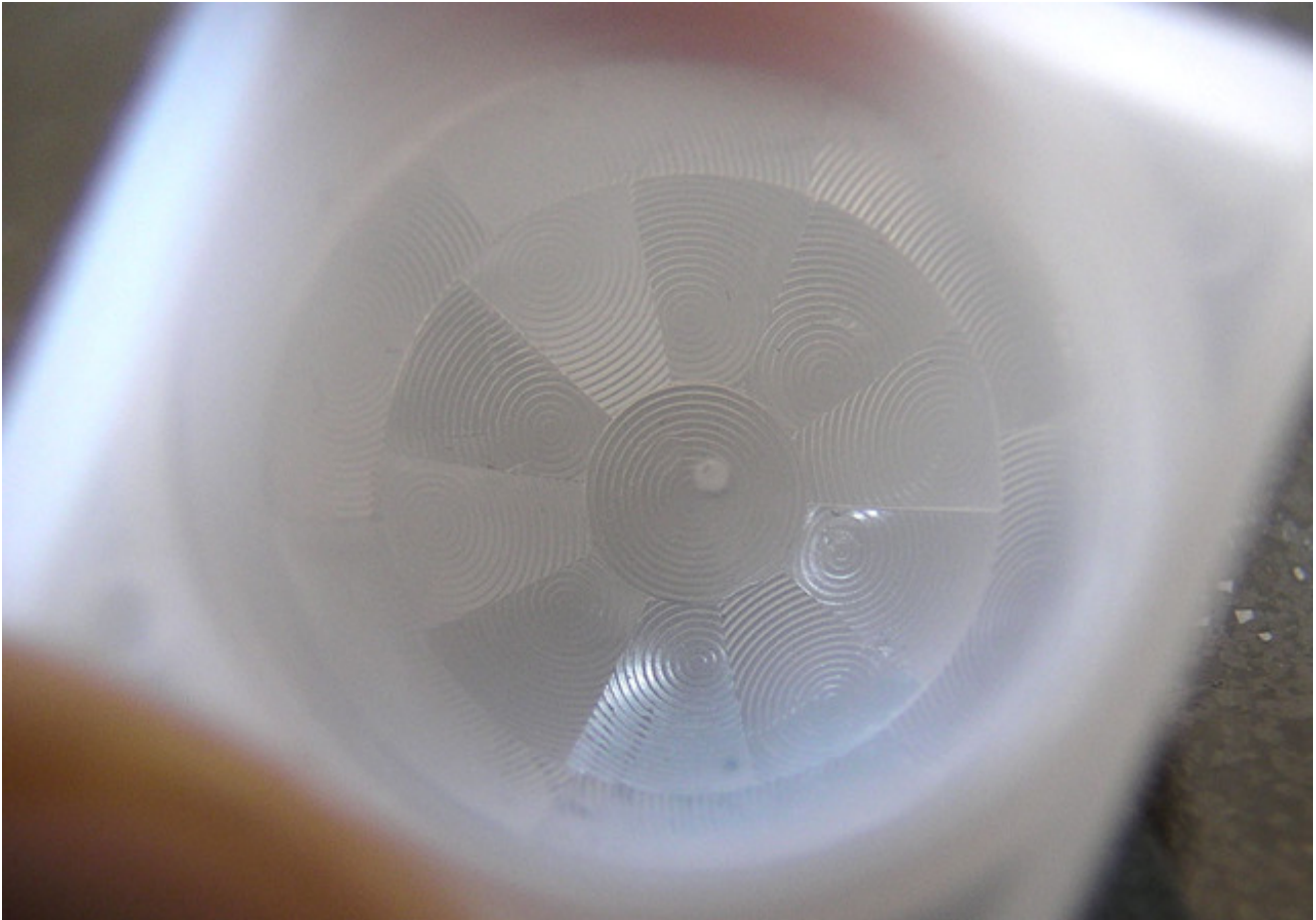


[Image from Cypress appnote 2105 \(http://adafru.it/cm6\)](http://adafru.it/cm6)

OK, so now we have a much larger range. However, remember that we actually have two sensors, and more importantly we don't want two really big sensing-area rectangles, but rather a scattering of multiple small areas. So what we do is split up the lens into multiple sections, each section of which is a Fresnel lens.

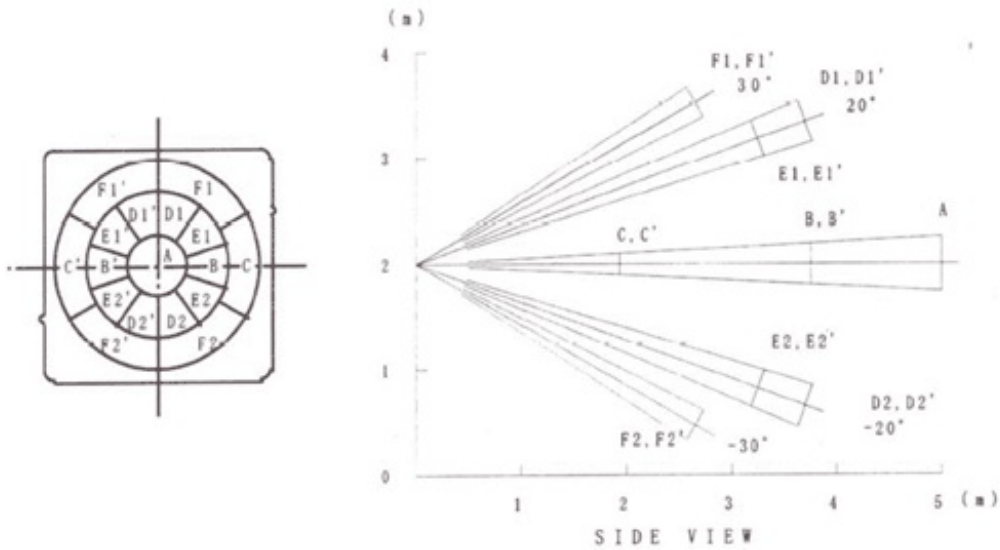
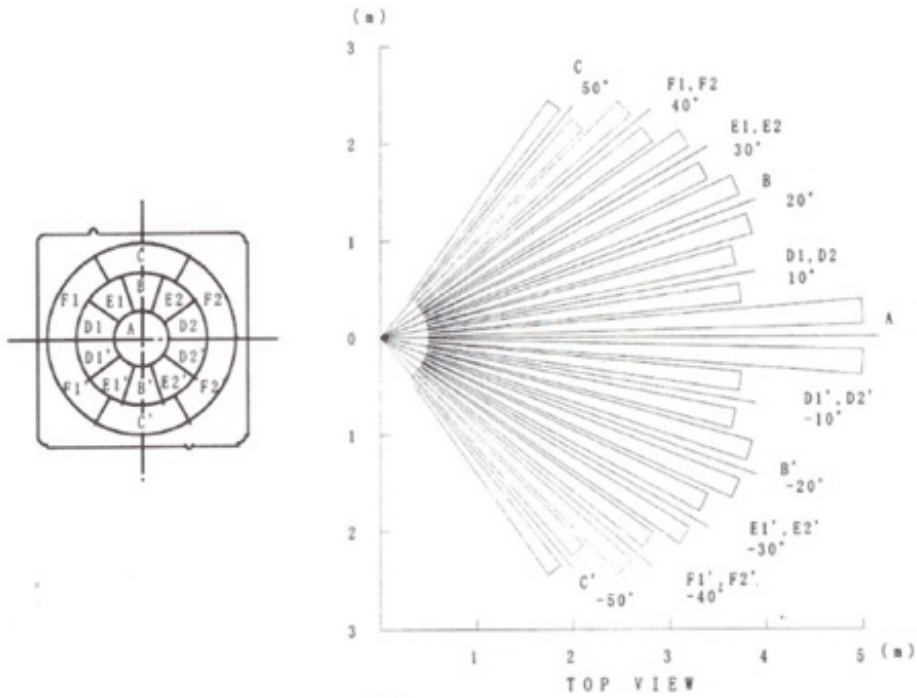


Here you can see the multiple facet-sections



This macro shot shows the different Frenel lenses in each facet!

The different faceting and sub-lenses create a range of detection areas, interleaved with each other. That's why the lens centers in the facets above are 'inconsistent' - every other one points to a different half of the PIR sensing element



[Images from NL11NH datasheet \(http://adafru.it/cIT\)](http://adafru.it/cIT)

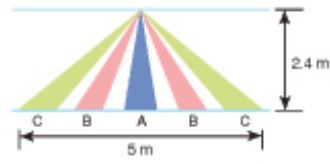
Here is another image, more qualitative but not as quantitative. (Note that the sensor in the Adafruit shop is 110° not 90°)

Ceiling Mount

Top View

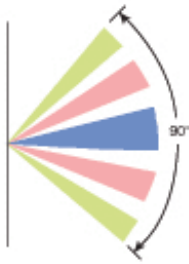


Side View

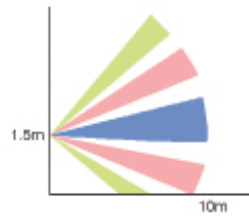


Wall Mount

Top View

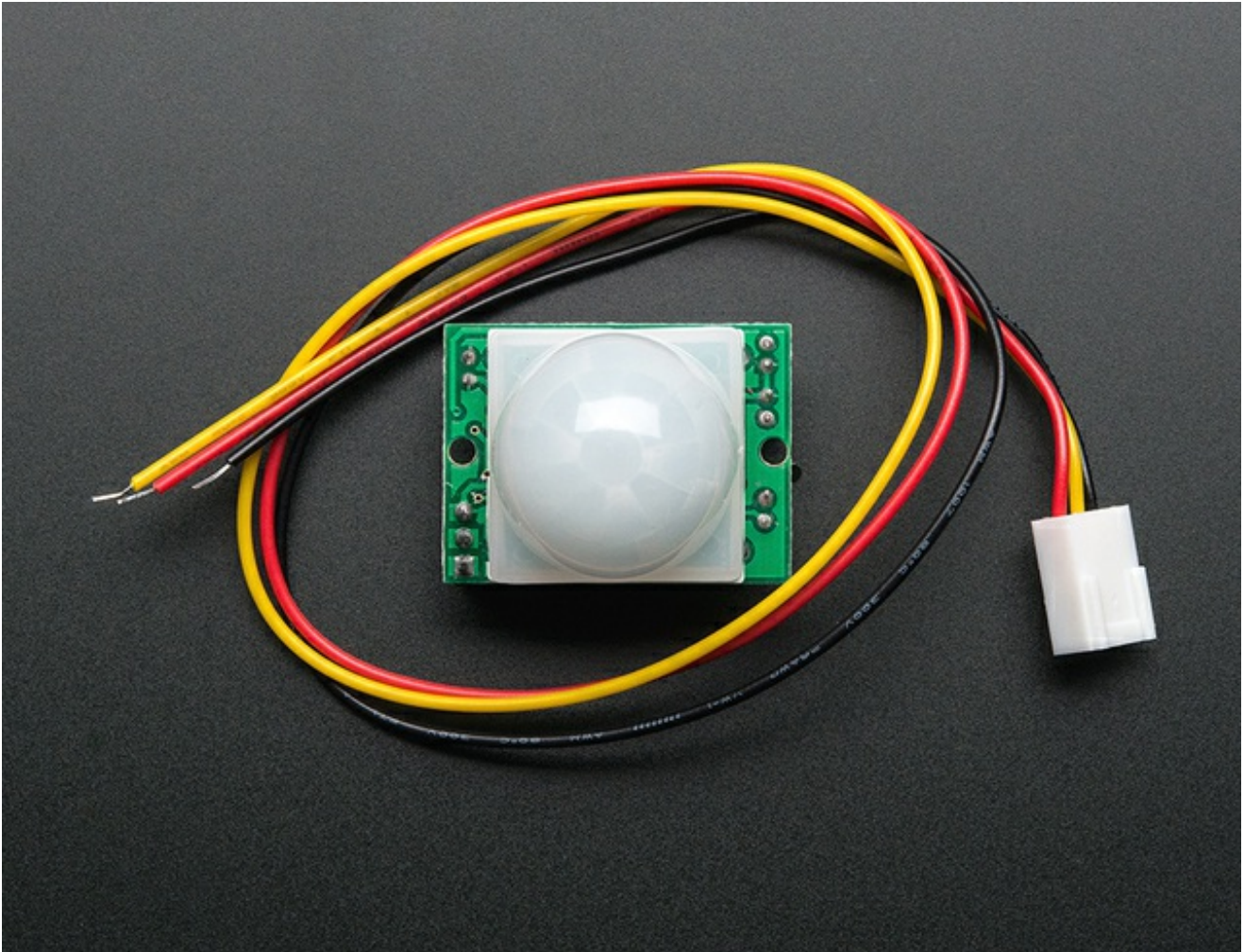


Side View



[Image from IR-TEC \(http://adafru.it/aKv\)](http://adafru.it/aKv)

Connecting to a PIR

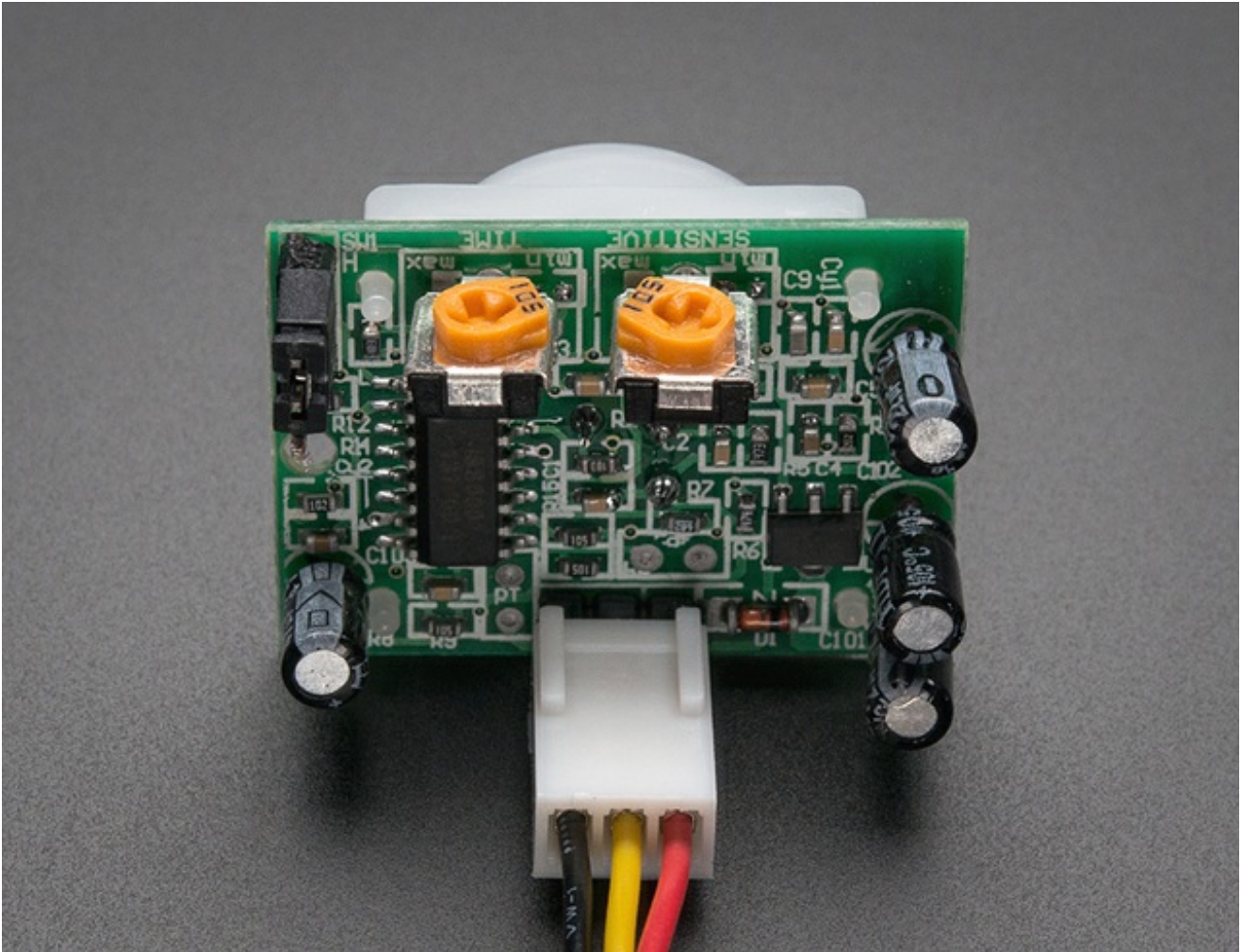


Most PIR modules have a 3-pin connection at the side or bottom. The pinout may vary between modules so triple-check the pinout! It's often silkscreened on right next to the connection (at least, ours is!) One pin will be ground, another will be signal and the final one will be power. Power is usually 3-5VDC input but may be as high as 12V. Sometimes larger modules don't have direct output and instead just operate a relay in which case there is ground, power and the two switch connections.

The output of some relays may be 'open collector' - that means it requires a pullup resistor. If you're not getting a variable output be sure to try attaching a 10K pullup between the signal and power pins.

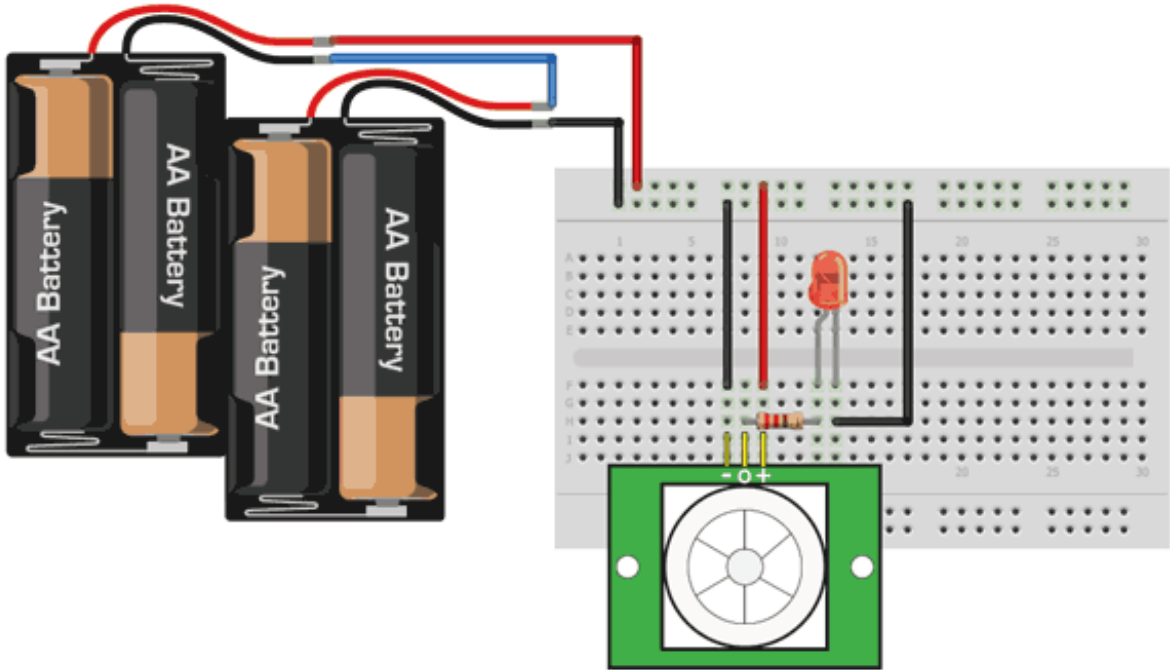
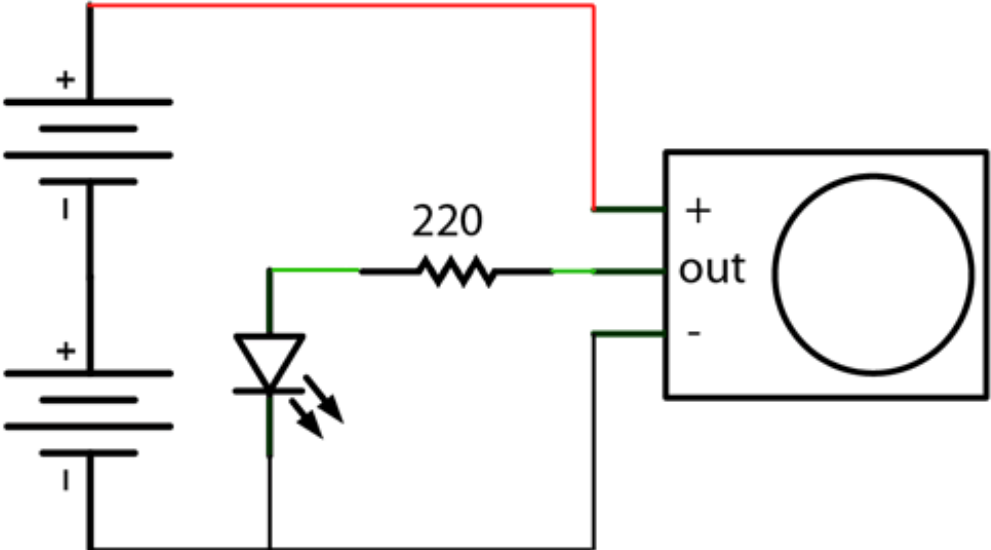
An easy way of prototyping with PIR sensors is to connect it to a breadboard since the connection port is 0.1" spacing. Some PIRs come with header on them already, the one's

from adafruit have a straight 3-pin header on them for connecting a cable



For our PIR's the red cable is + voltage power, black cable is - ground power and yellow is the signal out. Just make sure you plug the cable in as shown above! If you get it backwards you won't damage the PIR but it won't work.

Testing a PIR



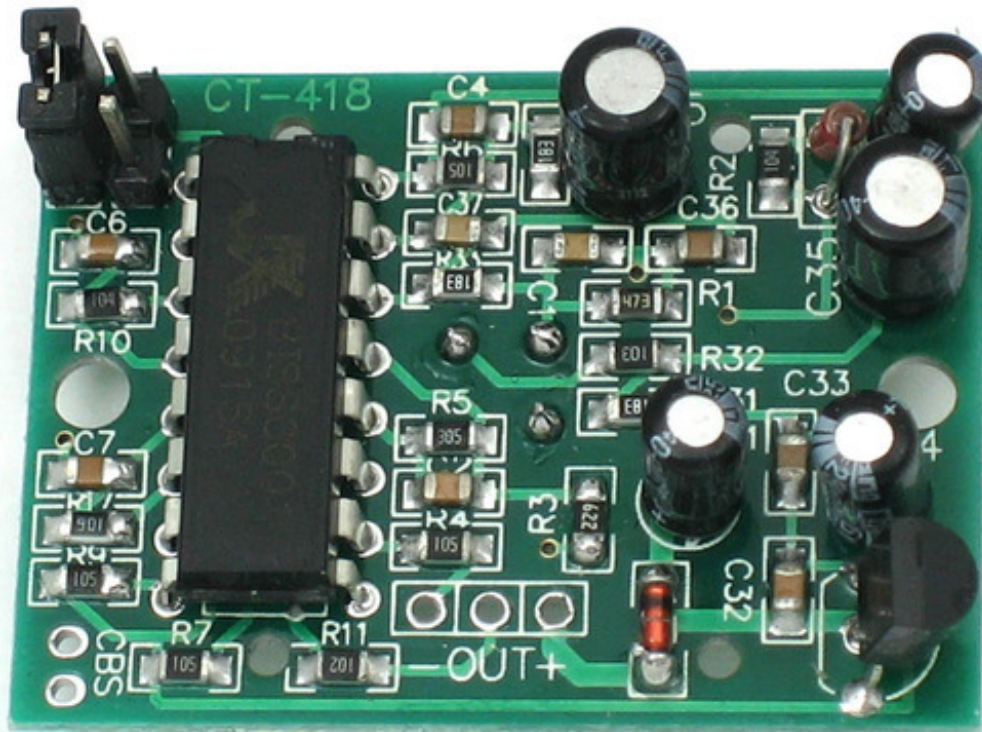
Now when the PIR detects motion, the output pin will go "high" to 3.3V and light up the LED!

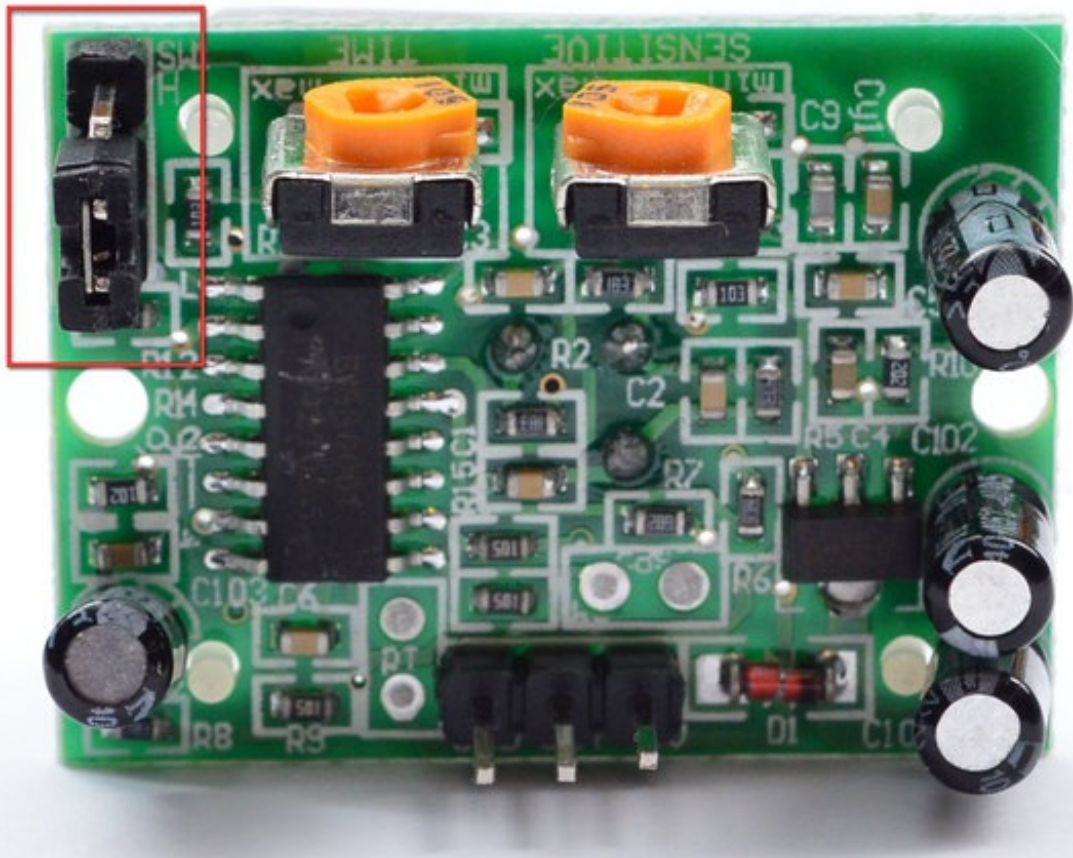
Once you have the breadboard wired up, insert batteries and wait 30-60 seconds for the PIR to 'stabilize'. During that time the LED may blink a little. Wait until the LED is off and then move around in front of it, waving a hand, etc, to see the LED light up!

Retriggering

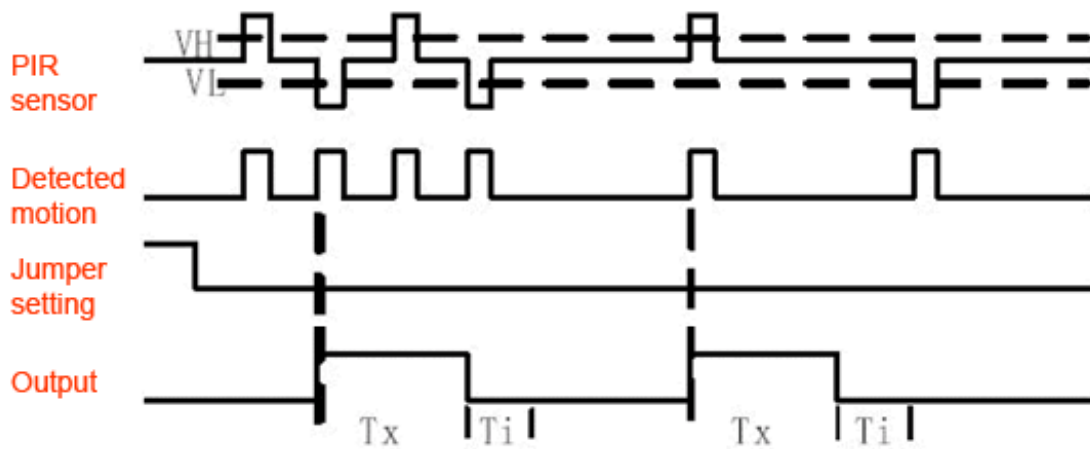
There's a couple options you may have with your PIR. First up we'll explore the 'Retriggering' option.

Once you have the LED blinking, look on the back of the PIR sensor and make sure that the jumper is placed in the **L** position as shown below.

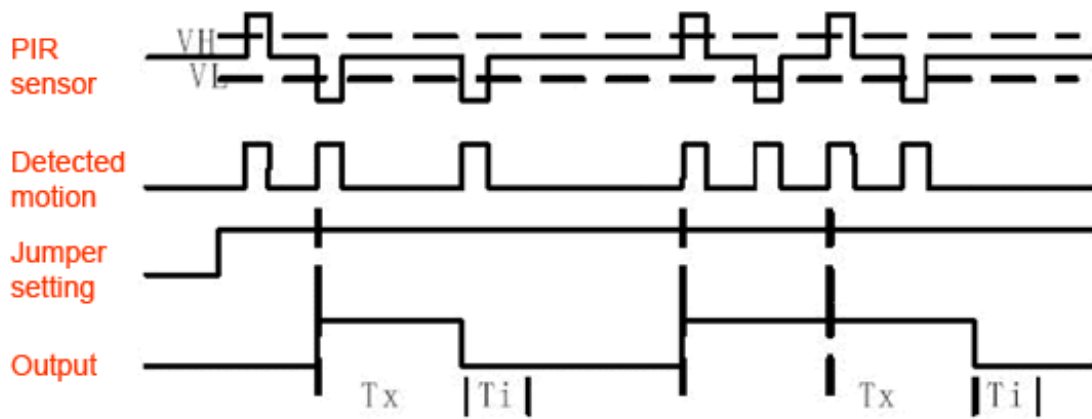




Now set up the testing board again. You may notice that when connecting up the PIR sensor as above, the LED does not stay on when moving in front of it but actually turns on and off every second or so. That is called "non-retriggering".

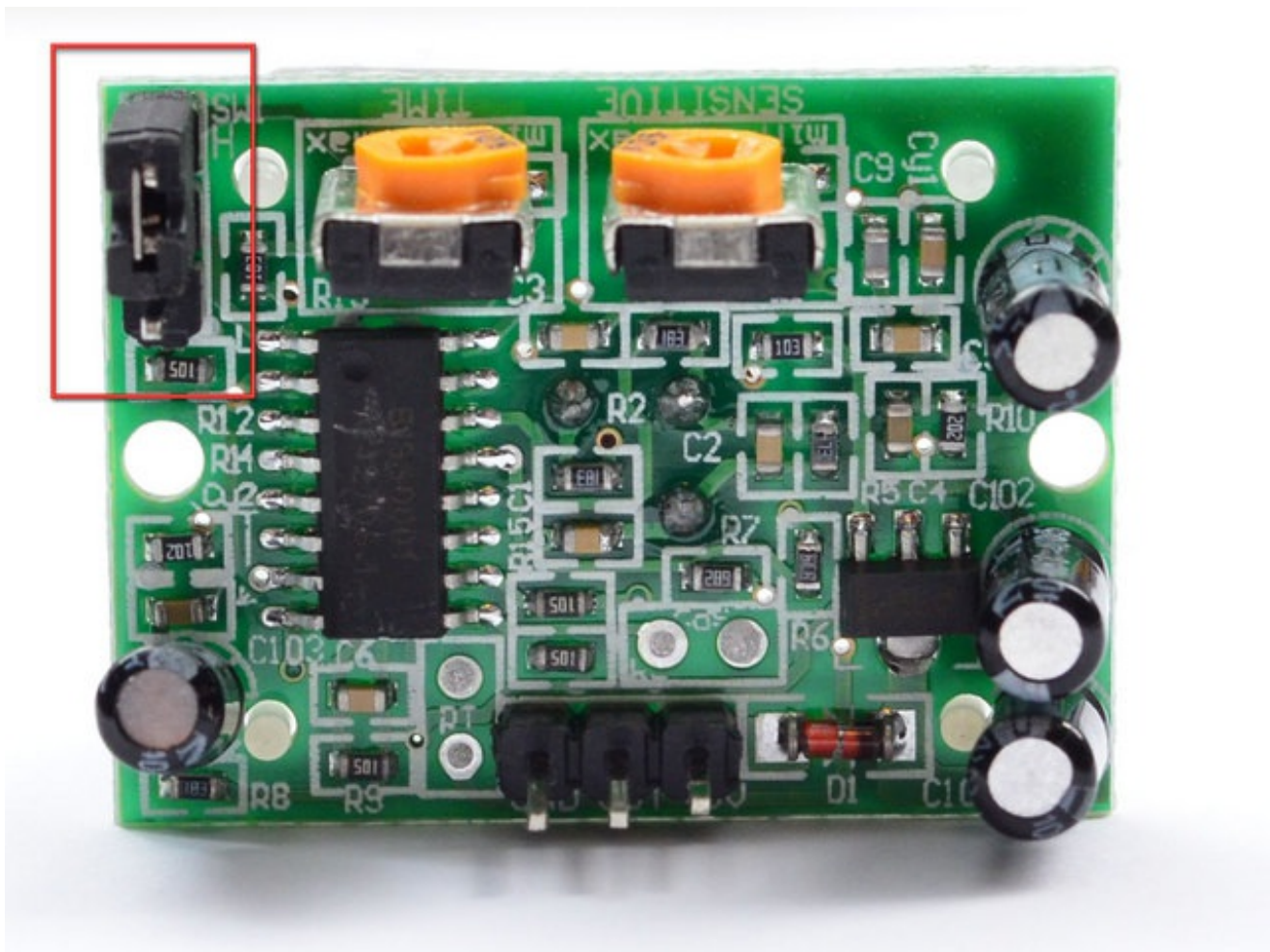


Now change the jumper so that it is in the **H** position. If you set up the test, you will notice that now the LED *does* stay on the entire time that something is moving. That is called "retriggering".



(The graphs above are from the BISS0001 datasheet, they kinda suck)

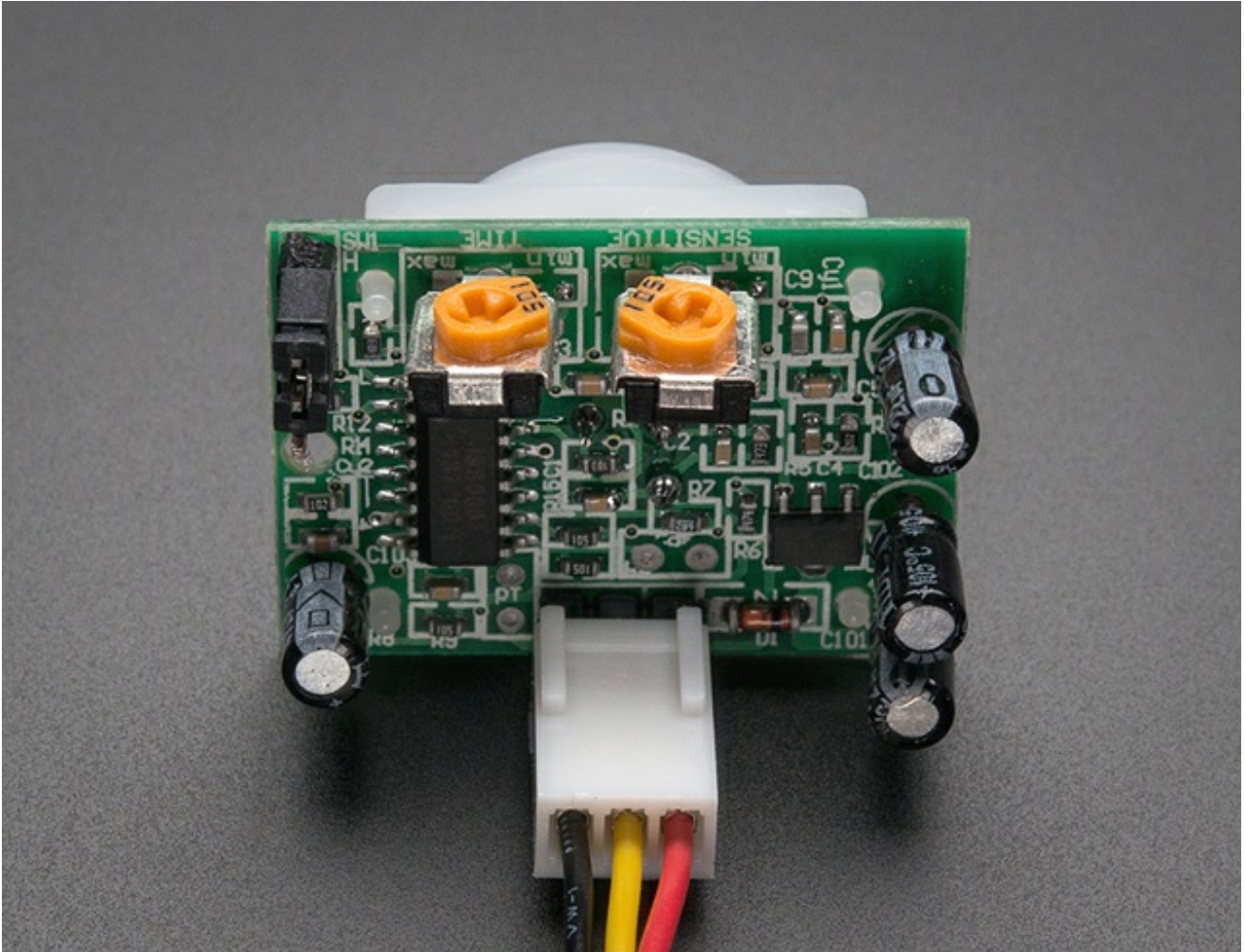
For most applications, "retriggering" (jumper in H position as shown below) mode is a little nicer.



If you need to connect the sensor to something edge-triggered, you'll want to set it to "non-retriggering" (jumper in L position).

Changing sensitivity

The Adafruit PIR has a trimpot on the back for adjusting sensitivity. You can adjust this if your PIR is too sensitive or not sensitive enough - clockwise makes it more sensitive.



Changing Pulse Time and Timeout Length

There are two 'timeouts' associated with the PIR sensor. One is the **T_x** timeout: how long the LED is lit after it detects movement - this is easy to adjust on Adafruit PIR's because there's a potentiometer.

The second is the **"T_i"** timeout which is how long the LED is guaranteed to be off when there is no movement. This one is not *easily* changed but if you're handy with a soldering iron it is within reason.

First, lets take a look at the BISS datasheet again

T_x = The time duration during which the output pin (Vo) remains high after triggering.
T_i = During this time period, triggering is inhibited. See timing charts for details.

T_x ≈ 24576 x R₁₀ x C₆; T_i ≈ 24 x R₉ x C₇. (ref to schematic)

On Adafruit PIR sensors, there's a little trim potentiometer labeled **TIME**. This is a 1 Megaohm adjustable resistor which is added to a 10K series resistor. And **C₆** is 0.01uF so

$$\mathbf{T_x = 24576 \times (10K + R_{time}) \times 0.01\mu F}$$

If the R_{time} potentiometer is turned all the way down counter-clockwise (to 0 ohms) then

$$\mathbf{T_x = 24576 \times (10K) \times 0.01\mu F = 2.5 \text{ seconds (approx)}}$$

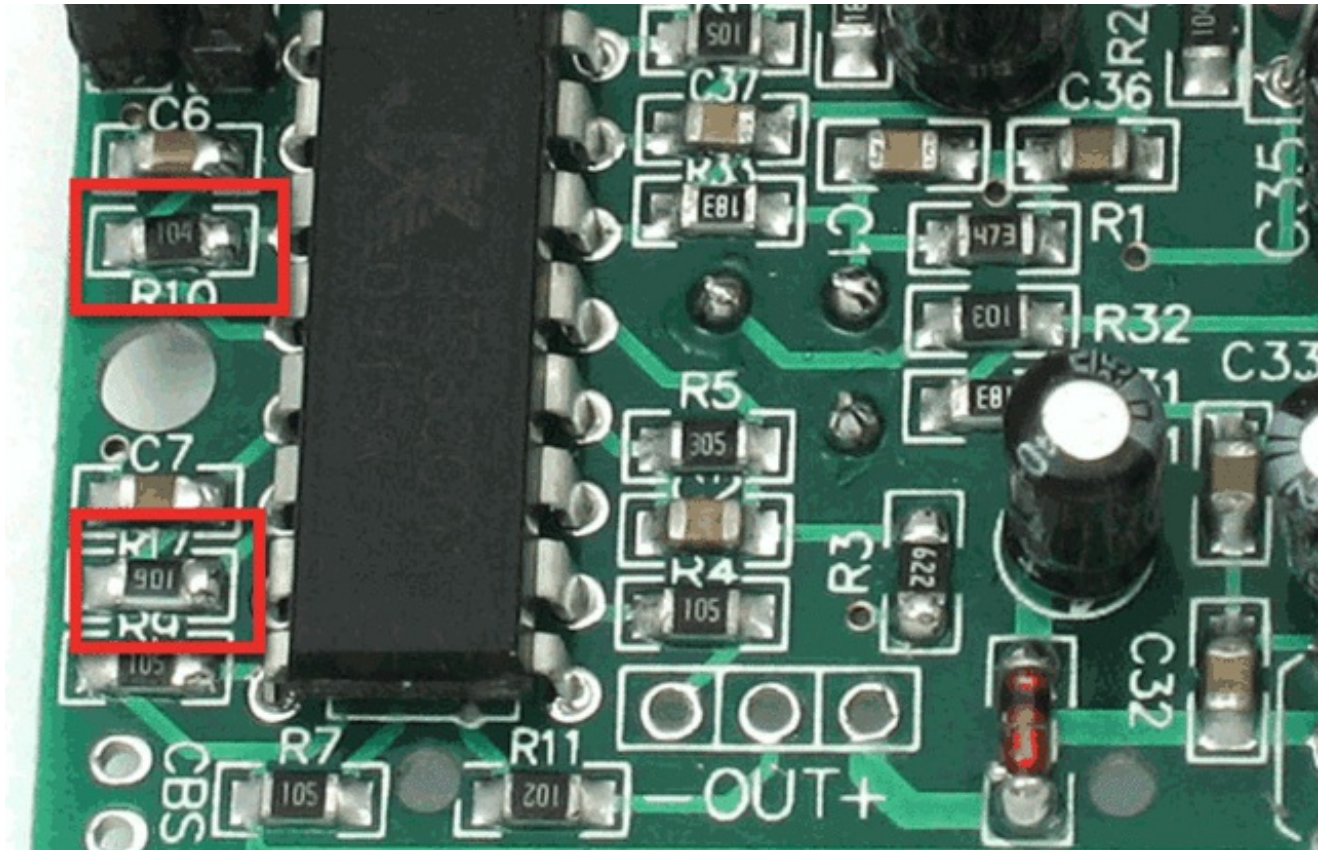
If the R_{time} potentiometer is turned all the way up clockwise to 1 Megaohm then

$$\mathbf{T_x = 24576 \times (1010K) \times 0.01\mu F = 250 \text{ seconds (approx)}}$$

If R_{Time} is in the middle, that'd be about 120 seconds (two minutes) so you can tweak it as necessary. For example if you want motion from someone to turn on a fan for a minimum of 1 minute, set the R_{time} potentiometer to about 1/4 the way around.

For older/other PIR sensors

If you have a PIR sensor from somewhere else that does not have a potentiometer adjust, you can trace out the adjustment resistors this way:



Determining R10 and R9 isn't too tough. Unfortunately this PIR sensor is mislabeled (it looks like they swapped R9 R17). You can trace the pins by looking at the BISS001 datasheet and figuring out what pins they are - R10 connects to pin 3 and R9 connects to pin 7. The capacitors are a little tougher to determine, but you can 'reverse engineer' them from timing the sensor and solving!

For example:

$$T_x \text{ is } = 24576 * R_{10} * C_6 = \sim 1.2 \text{ seconds}$$

$$R_{10} = 4.7K \text{ and } C_6 = 10nF$$

Likewise,

$$T_i = 24 * R_9 * C_7 = \sim 1.2 \text{ seconds}$$

$$R_9 = 470K \text{ and } C_7 = 0.1\mu F$$

You can change the timing by swapping different resistors or capacitors. For a nice tutorial on this, see [Keith's PIR hacking page](http://adafruit.it/aKw) (<http://adafruit.it/aKw>).

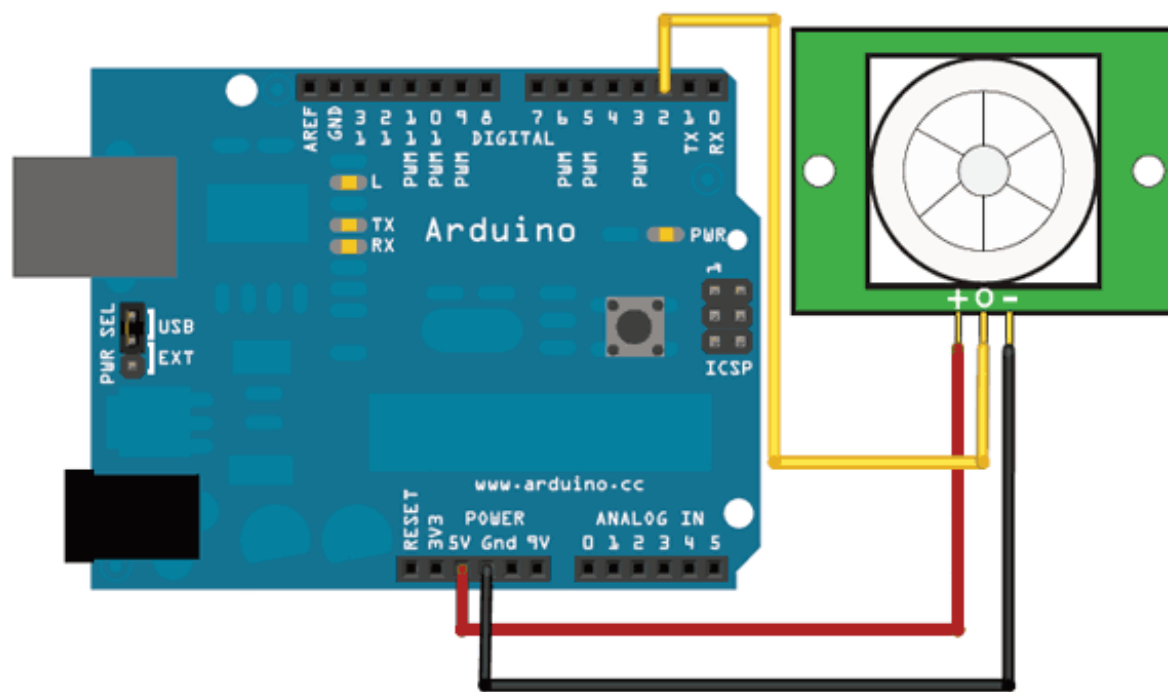
Using a PIR

Reading PIR Sensors

Connecting PIR sensors to a microcontroller is really simple. The PIR acts as a digital output so all you need to do is listen for the pin to flip high (detected) or low (not detected).

Its likely that you'll want rerigging, so be sure to put the jumper in the **H** position!

Power the PIR with 5V and connect ground to ground. Then connect the output to a digital pin. In this example we'll use pin 2.



The code is very simple, and is basically just keeps track of whether the input to pin 2 is high or low. It also tracks the *state* of the pin, so that it prints out a message when motion has started and stopped.

```
/*
 * PIR sensor tester
 */

int ledPin = 13;           // choose the pin for the LED
int inputPin = 2;         // choose the input pin (for PIR sensor)
int pirState = LOW;       // we start, assuming no motion detected
int val = 0;              // variable for reading the pin status
```

```

void setup() {
  pinMode(ledPin, OUTPUT); // declare LED as output
  pinMode(inputPin, INPUT); // declare sensor as input

  Serial.begin(9600);
}

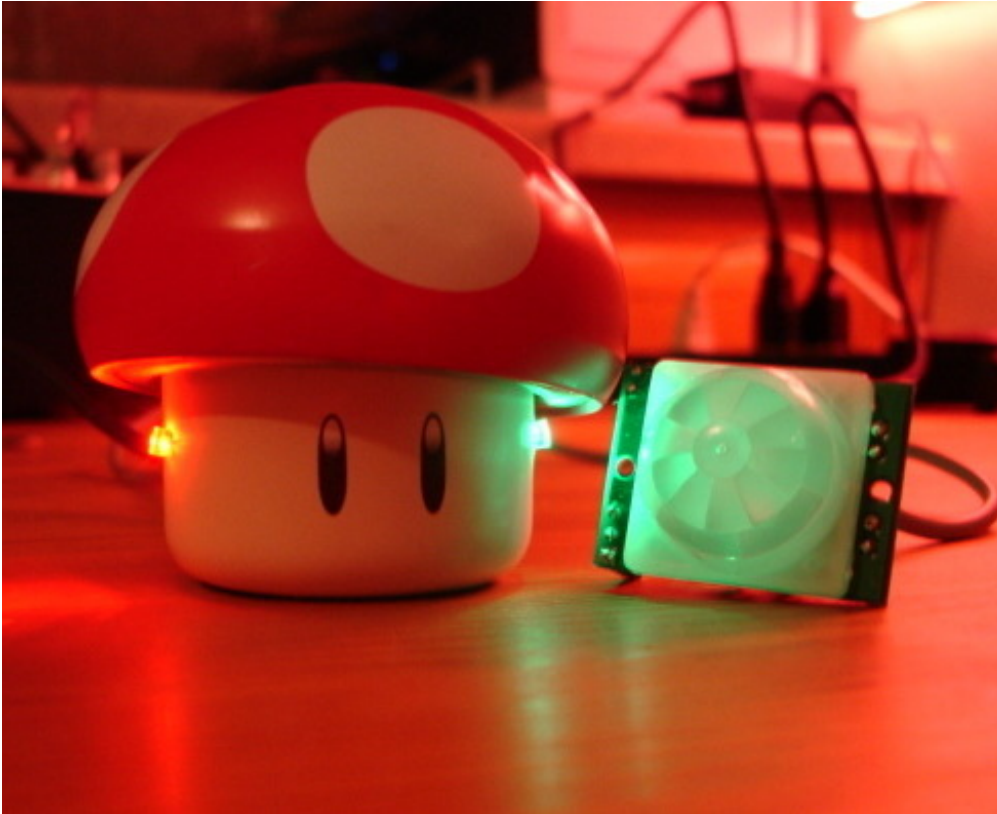
void loop(){
  val = digitalRead(inputPin); // read input value
  if (val == HIGH) { // check if the input is HIGH
    digitalWrite(ledPin, HIGH); // turn LED ON
    if (pirState == LOW) {
      // we have just turned on
      Serial.println("Motion detected!");
      // We only want to print on the output change, not state
      pirState = HIGH;
    }
  } else {
    digitalWrite(ledPin, LOW); // turn LED OFF
    if (pirState == HIGH){
      // we have just turned of
      Serial.println("Motion ended!");
      // We only want to print on the output change, not state
      pirState = LOW;
    }
  }
}
}

```

Don't forget that there are some times when you don't need a microcontroller. A PIR sensor can be connected to a relay (perhaps with a transistor buffer) without a micro!

Example Projects

A simple room greeter that plays the super mario brothers theme music when triggered by a PIR in a hacked airwick freshener unit.

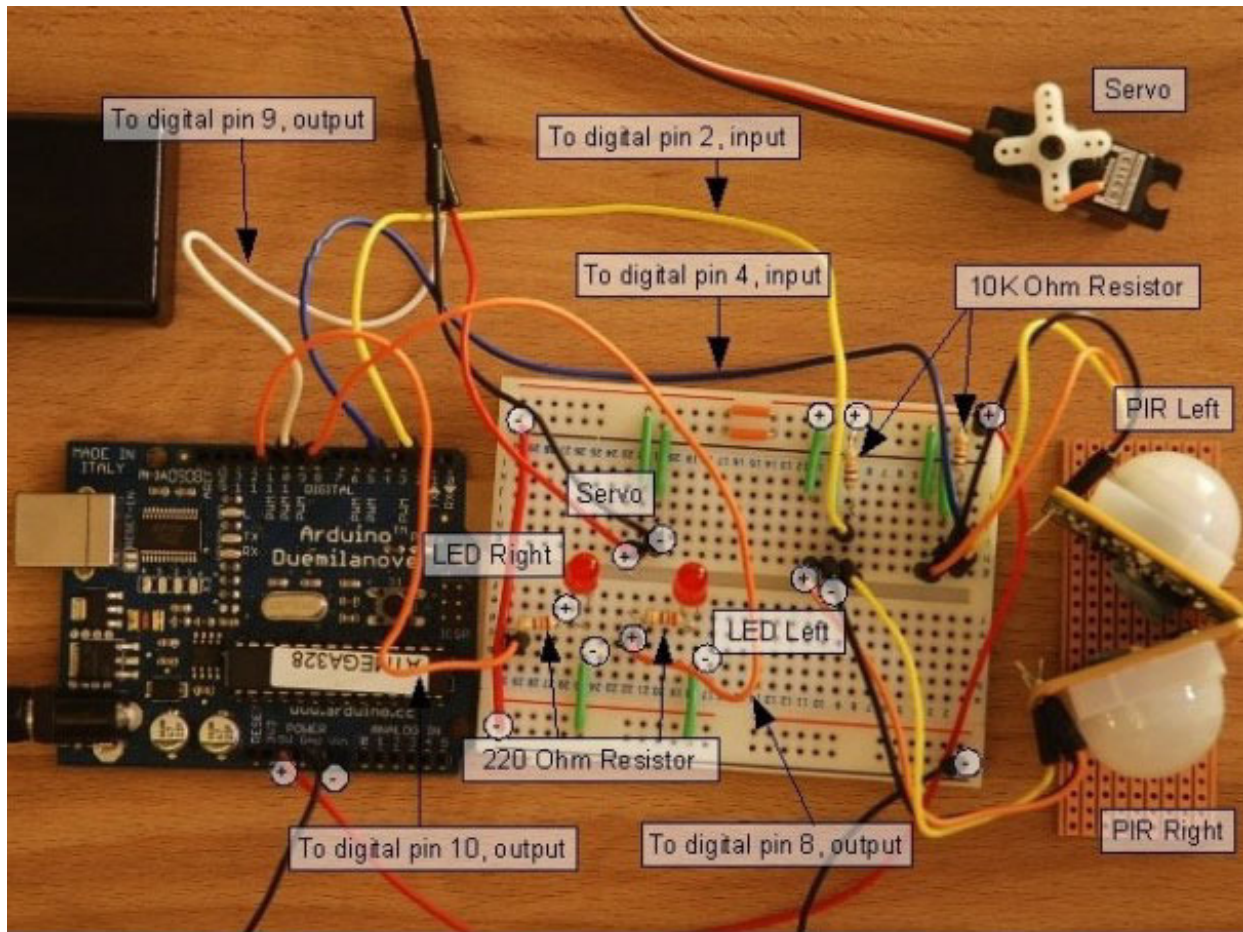


[A USB-powered singing and blinking Mario mushroom \(there's a video on the site!\) \(http://adafru.it/aKx\)](http://adafru.it/aKx)

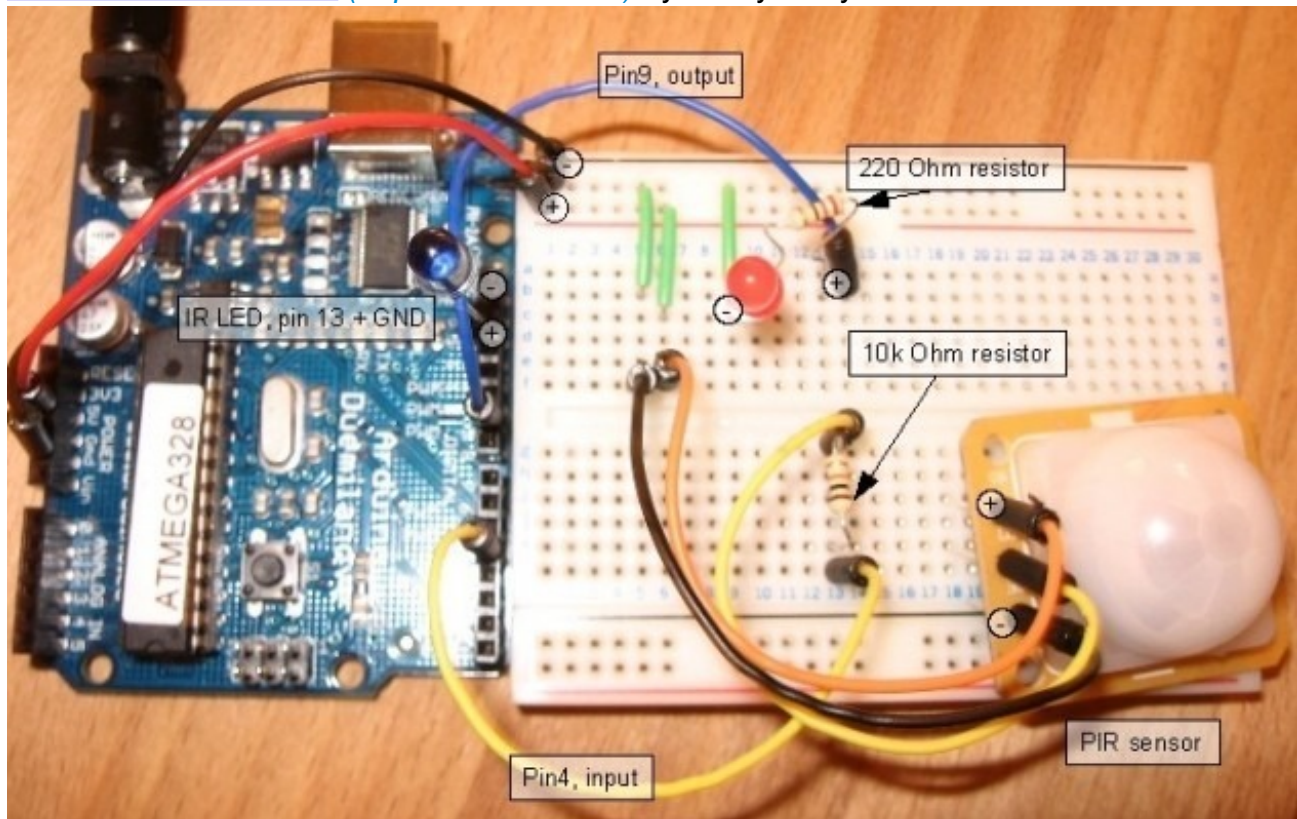


[Rain Umbrellas \(http://adafru.it/aKy\)](http://adafru.it/aKy)

A home-made security system using PIR sensors (which is built into a Start Trek panel!)
PIR sensor + Arduino + Servo = automatic cat door!



A 2-PIR motion tracker (<http://adafru.it/aKz>) by Lucky Larry



[A PIR-based remote camera trigger \(also by Lucky Larry!\) \(http://adafru.it/aKA\)](http://adafru.it/aKA)

An interesting hack whereby the PIR sensor is used 'raw' to track movement.



Buy a PIR Motion Sensor

[Buy a PIR Motion Sensor \(http://adafru.it/189\)](http://adafru.it/189)