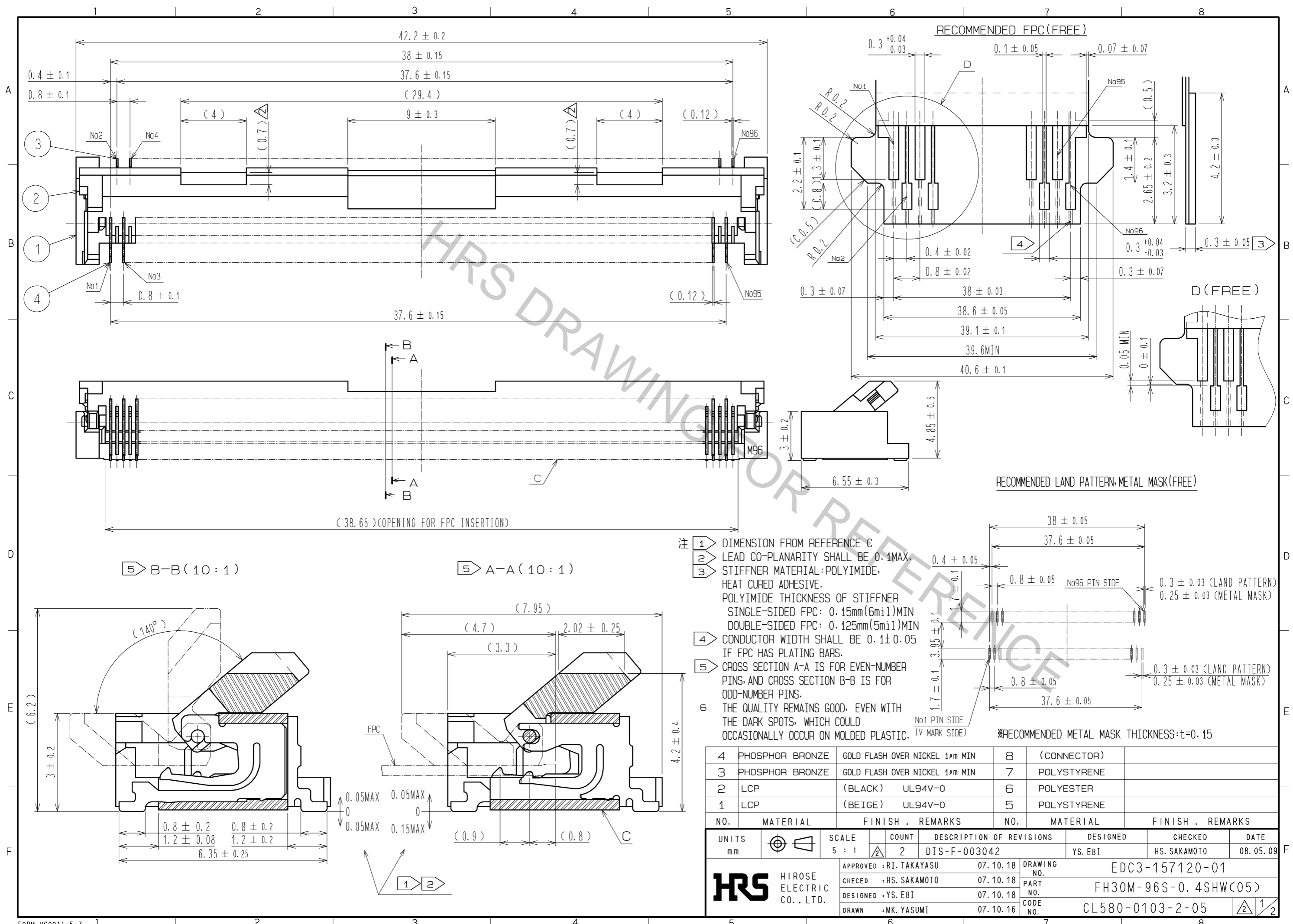


Apr.1.2017 Copyright 2017 HIROSE ELECTRIC CO., LTD. All Rights Reserved.



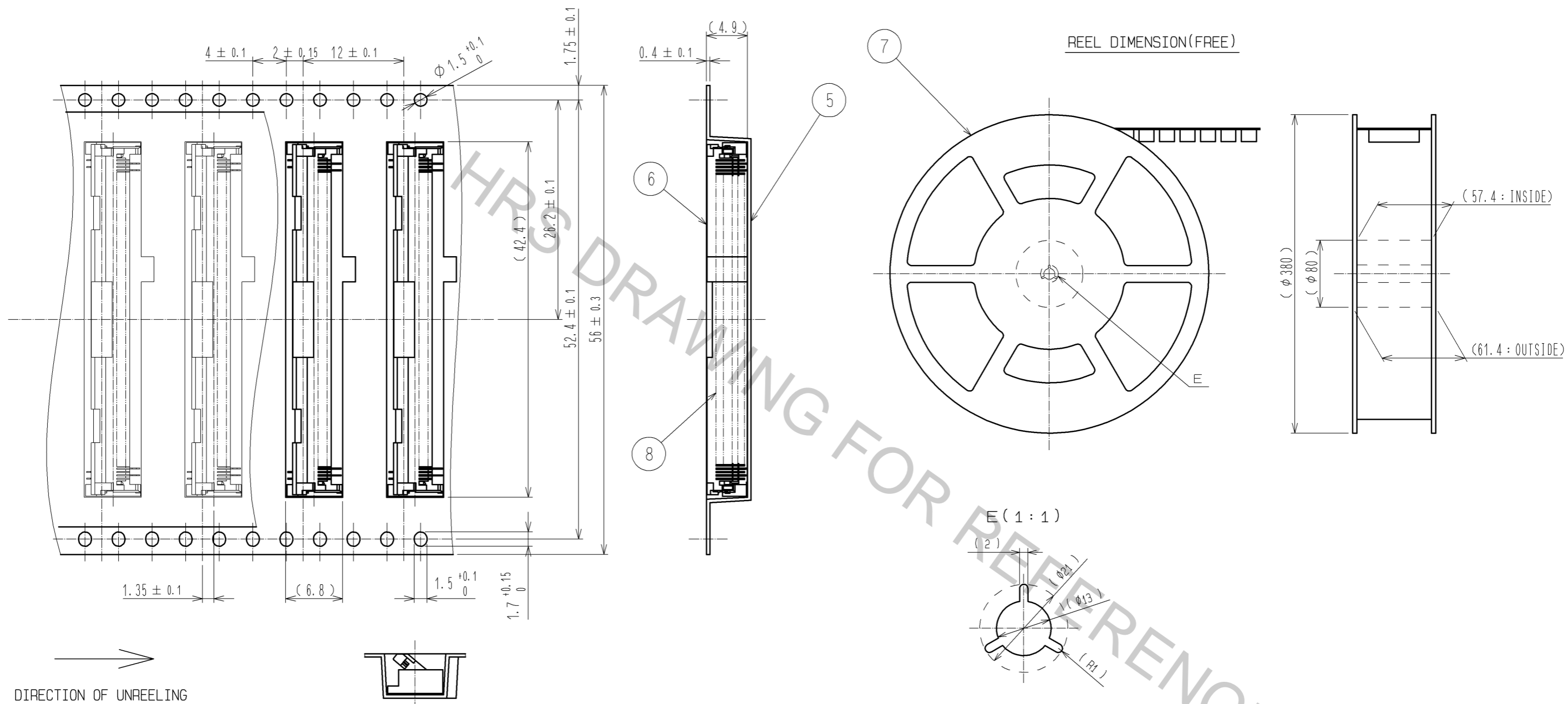
- 注 1 DIMENSION FROM REFERENCE C  
 2 LEAD CO-PLANARITY SHALL BE 0.1MAX.  
 3 STIFFNER MATERIAL: POLYIMIDE, HEAT CURED ADHESIVE. POLYIMIDE THICKNESS OF STIFFNER SINGLE-SIDED FPC: 0.15mm(6mil)MIN DOUBLE-SIDED FPC: 0.125mm(5mil)MIN  
 4 CONDUCTOR WIDTH SHALL BE 0.1 ± 0.05 IF FPC HAS PLATING BARS.  
 5 CROSS SECTION A-A IS FOR EVEN-NUMBER PINS, AND CROSS SECTION B-B IS FOR ODD-NUMBER PINS.  
 6 THE QUALITY REMAINS GOOD, EVEN WITH THE DARK SPOTS, WHICH COULD OCCASIONALLY OCCUR ON MOLDED PLASTIC.

4	PHOSPHOR BRONZE	GOLD FLASH OVER NICKEL 1#m MIN	8	(CONNECTOR)	
3	PHOSPHOR BRONZE	GOLD FLASH OVER NICKEL 1#m MIN	7	POLYSTYRENE	
2	LCP	(BLACK) UL94V-0	6	POLYESTER	
1	LCP	(BEIGE) UL94V-0	5	POLYSTYRENE	
NO.	MATERIAL	FINISH . REMARKS	NO.	MATERIAL	FINISH . REMARKS

UNITS mm	SCALE 5 : 1	COUNT 2	DESCRIPTION OF REVISIONS DIS-F-003042	DESIGNED YS. EBI	CHECKED HS. SAKAMOTO	DATE 08. 05. 09
APPROVED : RI. TAKAYASU 07. 10. 18			DRAWING NO. EDC3-157120-01			
CHECKED : HS. SAKAMOTO 07. 10. 18			PART NO. FH30M-96S-0.4SHW<05>			
DESIGNED : YS. EBI 07. 10. 18			CODE NO. CL580-0103-2-05			
DRAWN : MK. YASUMI 07. 10. 16						

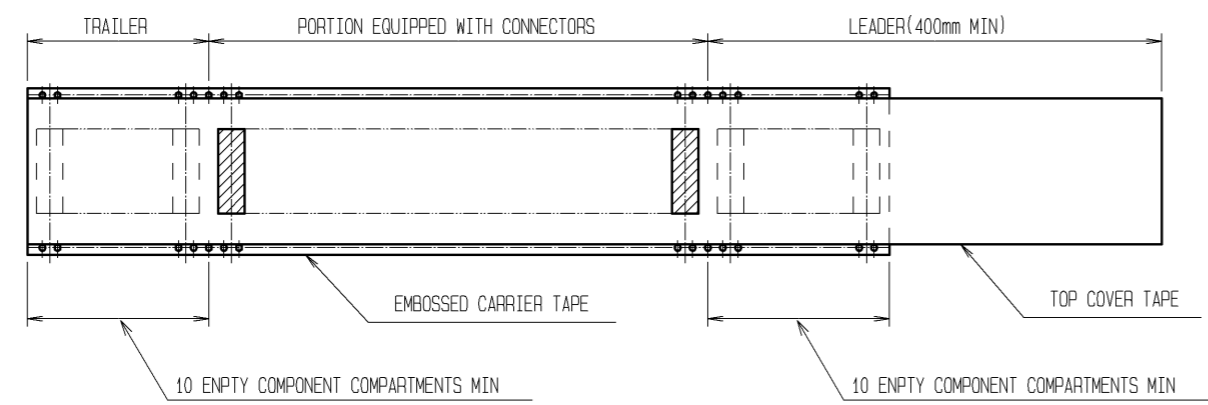
EMBOSSED CARRIER TAPE DIMENSION(2:1)

REEL DIMENSION(FREE)



DIRECTION OF UNREELING

NOTE 7 PER REEL : 1000 CONNECTORS.  
 8 REFER TO JIS C 0806 (PACKAGING OF COMPONENTS FOR AUTOMATIC HANDLING.)



PACKAGING SPECIFICATION

<b>HRS</b>	DRAWING NO.	EDC3-157120-01	
	PART NO.	FH30M-96S-0.4SHW(C05)	
	CODE NO.	CL580-0103-2-05	2/2