

REVISION B REVISED AND REDRAWN ON CAD/CAM 1/9/92 HA
REVISION C TEMECULA -WAS- CARSON 1/13/93 TS
REVISION D ADDED SAFETY REFORMATTED 5/3/95 TS
REVISION E NEW FORMAT 06/30/98 TS
REVISION F ADDED RoHS. UL1459 WAS UL1863. 5-26-09 M.P.

A. Electrical Specifications (@ 25°C)

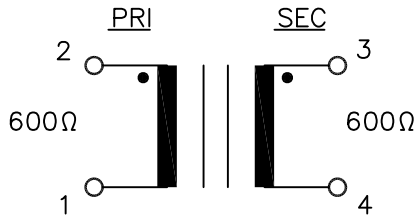
- Pri Source Impedance; 600Ω
- Sec Load Impedance; 600Ω
- Pri DC Unbalance Current; 90mA (1-2)
- Operating Level; -45dBm to +10dBm
- Insertion Loss; 1.9dB MAX @ 1.8KHz 0dBm and DC90mA
- Frequency Response (relative to 1.8KHz) +0.3dB, -1.3dB @ 500 to 3.5KHz 0dBm and DC90mA +0.3dB, -2.5dB @ 300 to 3.5KHz 0dBm and DC90mA
- Pri Impedance; 600Ω ±20% @ 500 to 1.8KHz 0dBm and DC90mA
- Pri Return Loss; 14dB MIN @ 1.8KHz 0dBm and DC90mA
- Longitudinal Balance; 60dB MIN @ 200 to 4KHz
- Total Harmonic Distortion; 1.0% MAX @ 300 to 3.5KHz 0dBm and DC90mA
- DC Resistance; (1-2) = 75 Ω ±10% (3-4) = 100 Ω ±10%
- Turns Ratio; (1-2) : (4-3) = 1 : 1.04 ±2%
- Dielectric Strength; 1500Vrms 60Hz 1 minute @ Pri to Sec, Pri to Core 1500Vrms 60Hz 1 minute @ Sec to Core



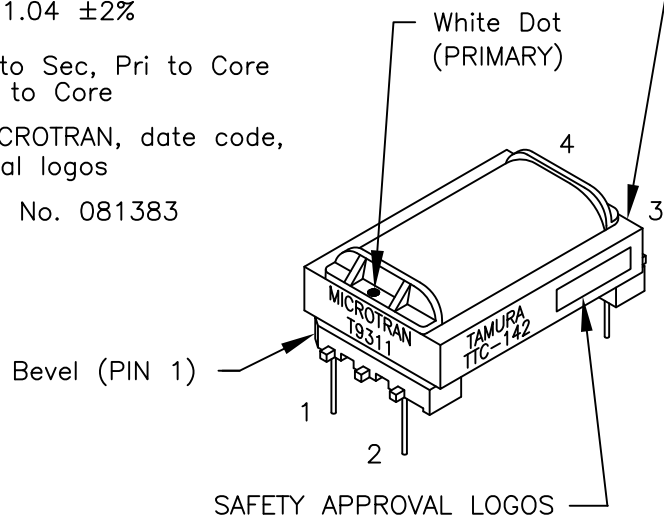
B. Marking; TTC-142, TAMURA, T9311, MICROTRAN, date code, country of origin and safety approval logos

C. Safety; CSA C22.2 No. 66-M1988 File No. 081383 UL1459 File No. E142035

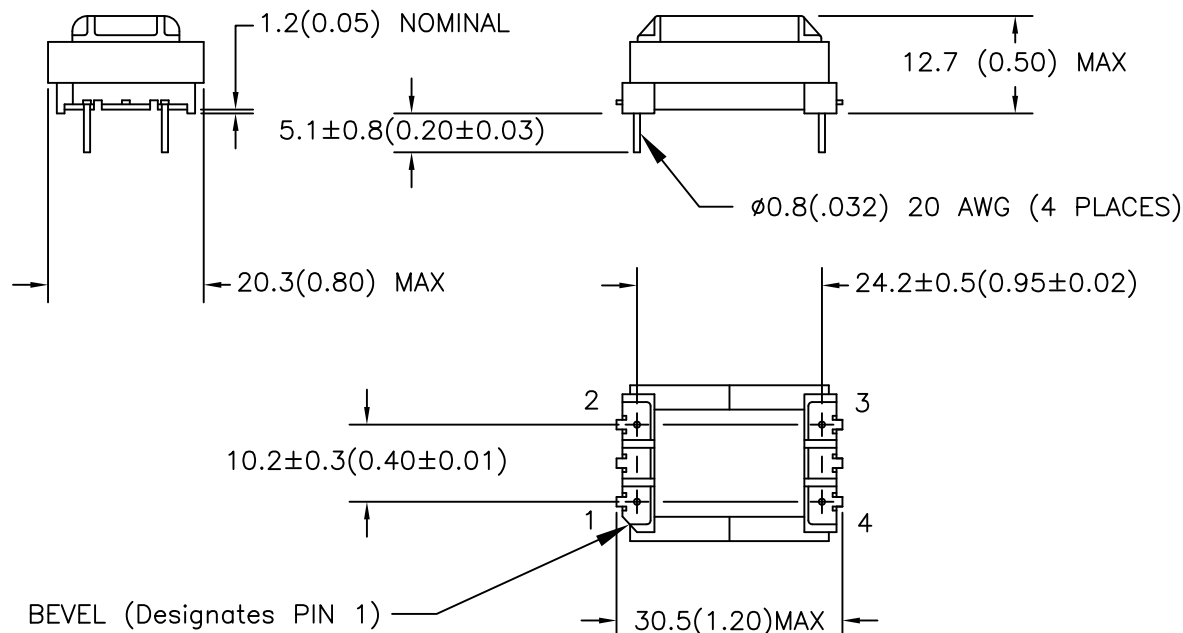
D. Schematic Diagram



Date code and country of origin



D. Mechanical Specifications



PREPARED BY:
E. BRINER

ENGINEER:
M. PITCHAI

SAFETY ENGINEER:
B.O.

APPROVED:
T. BROOKS

P-A1-10033 ACAD\TTC\A1100331.DWG	TELECOMMUNICATION COUPLING TRANSFORMER	MODEL SPECIFICATION TTC-142	REV F
CONTENTS OF THIS DRAWING ARE SUBJECT TO CHANGE CONTROL TAMURA CORPORATION OF AMERICA 43352 BUSINESS PARK DRIVE, TEMECULA, CA. 92590-6624 (951) 699-1270 FAX 9516769482		DIM: mm[In]	SCL: NONE
PROPRIETARY NOTICE: THIS DRAWING PRINT OR DOCUMENT AND SUBJECT MATTER DISCLOSED HEREIN ARE PROPRIETARY ITEMS TO WHICH TAMURA RETAINS THE EXCLUSIVE RIGHT OF DISSEMINATION, REPRODUCTION, MANUFACTURE AND SALE. THIS DRAWING, PRINT OR DOCUMENT IS SUBMITTED IN CONFIDENCE FOR CONSIDERATION BY THE RECIPIENT ALONE UNLESS PERMISSION FOR FURTHER DISCLOSURE IS EXPRESSLY GRANTED IN WRITING.		SHT 1 OF 1	