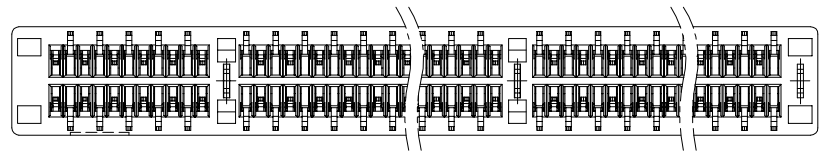
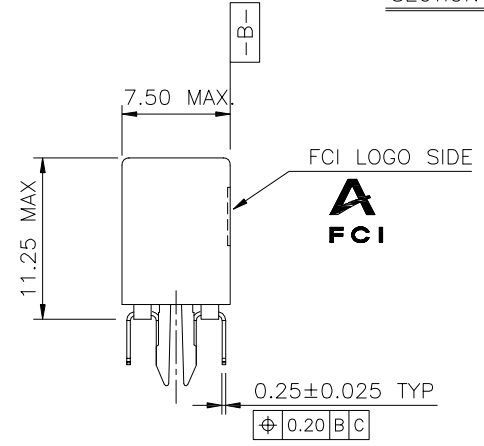
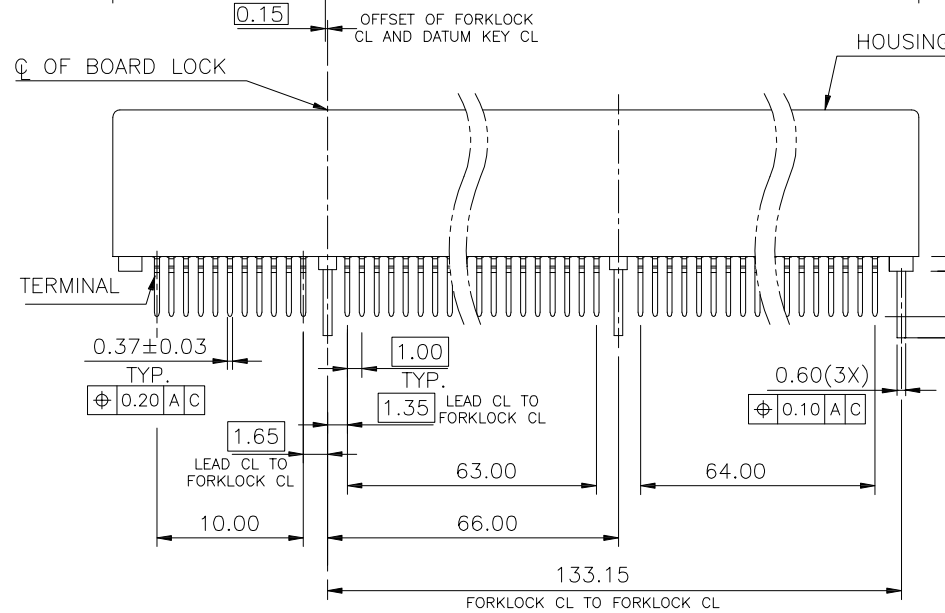
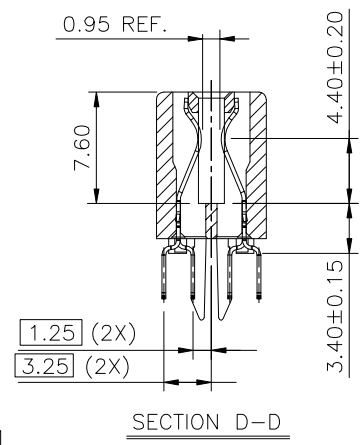
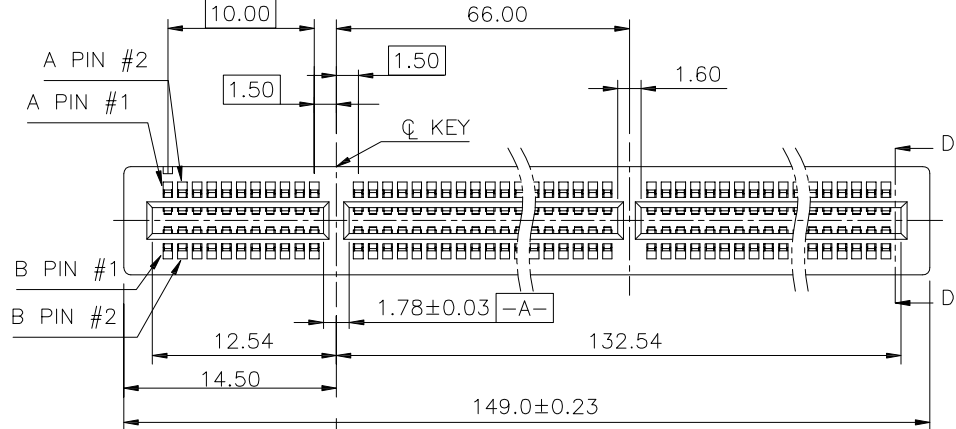


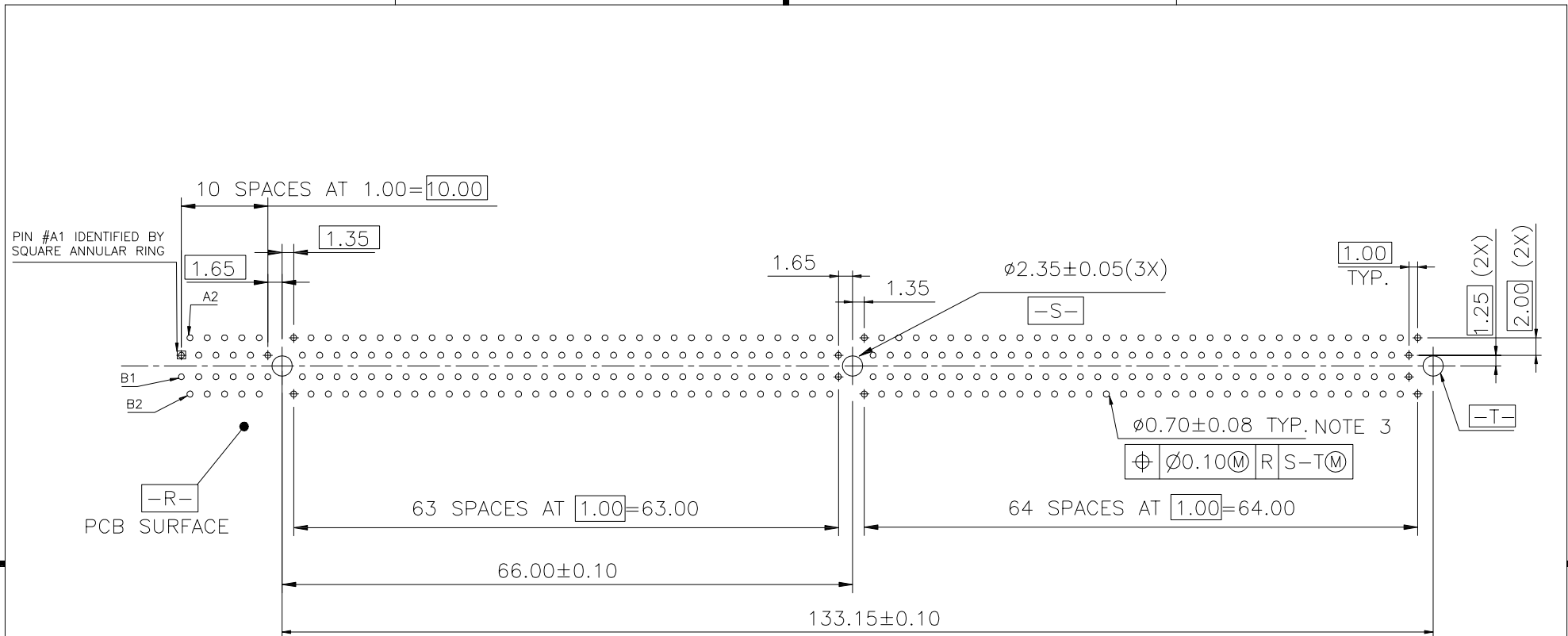
PRODUCT NO.
10027747-X1XXXX



CONFIDENTIAL


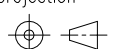

mat'l. code				tolerances unless otherwise specified				CUSTOMER COPY		FCI www.fciconnect.com		
ltr	ecn no	dr	date	linear	.X ± 0.30		projection	title	PCI EXPRESS GEN3 CARD EDGE ASSY 280P			
A	T04-0386	M W	10/07/04		.XX ± 0.20							
B	T04-0427	M W	12/10/04		.XXX ± 0.10							
C	T05-0010	M W	01/11/05	angles	0° ± 2°		scale	product family	EDGE CARD			
D	ELX-DG-21161-1	S T	05/27/15	dr	STONE LI	05/27/15			MM	size	dwg no	
-	-	-	-	engr	STONE LI	05/27/15					2:1	A4
sheet index				revision	D D D D							
				sheet	1 2 3 4						TWN	
											sheet	
											1 of 4	

cage code
22526

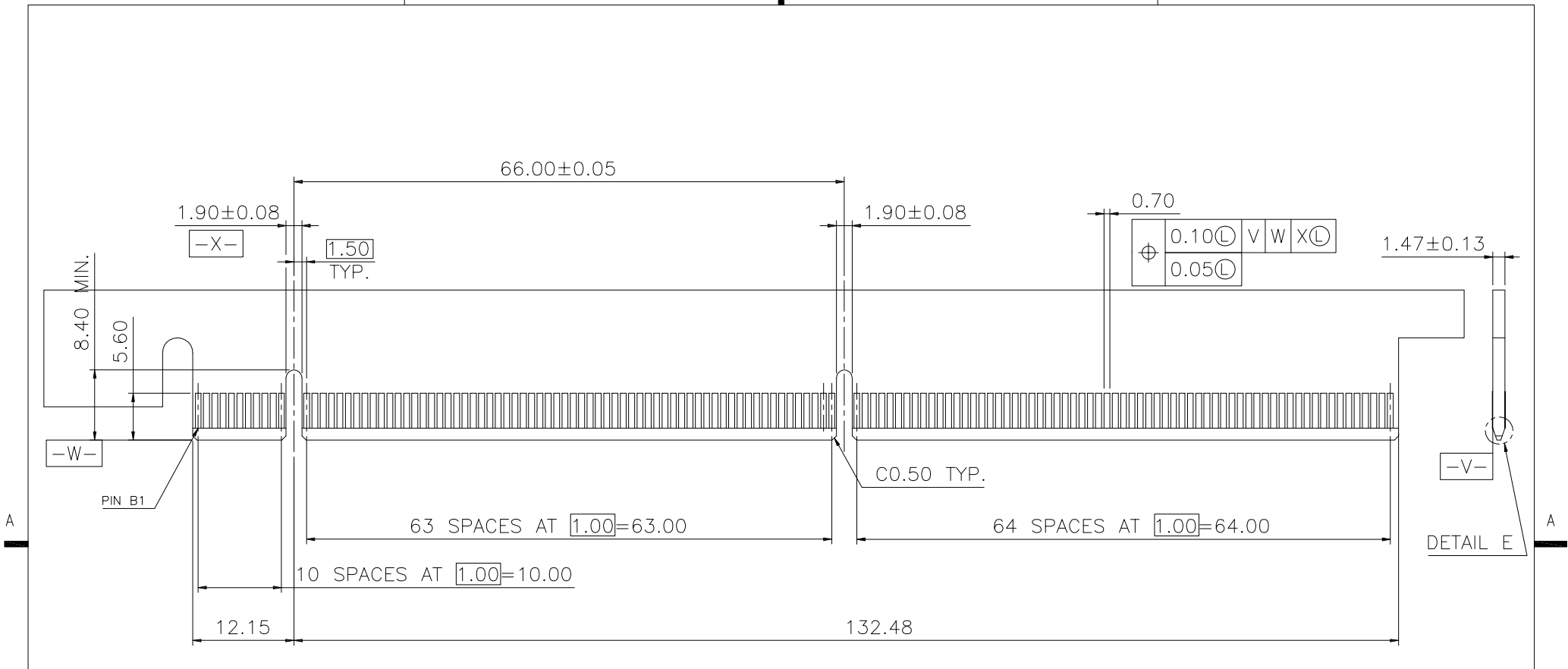


MOTHER BOARD FOOTPRINT PATTERN
CONNECTOR SIDE SHOWN

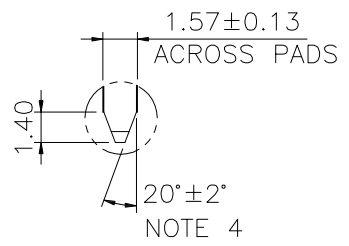
CONFIDENTIAL

mat'l. code				tolerances unless otherwise specified		CUSTOMER COPY		 www.fciconnect.com	
ltr	ecn no	dr	date	linear	.X ±	projection	title		
					.XX ±		PCI EXPRESS GEN3 		
				angles	.XXX ±		CARD EDGE ASS'Y 280P		
				dr	0° ±2°	MM	product family	EDGE CARD	code
				enr			size	dwg no	TWN
				chr		scale	A4		10027747
				appd			1.5:1	sheet 2 of 4	
sheet index		revision sheet							

cage code
22526



DAUGHTER CARD
PRIMARY (COMPONENT) SIDE



SCALE 2:1
DETAIL E

CONFIDENTIAL

mat'l. code				tolerances unless otherwise specified			CUSTOMER COPY		 www.fciconnect.com		
ltr	ecn no	dr	date	linear	.X ±		projection	title			
					.XX ±			PCI EXPRESS GEN3 CARD EDGE ASS'Y 280P			
					.XXX ±						
				angles	0° ±2°		 MM	product family		code	
				dr	STONE LI	05/27/15		EDGE CARD		TWN	
				enr	STONE LI	05/27/15		size dwg no		sheet	
				chr	/	/		scale		3 of 4	
				appd	PM ZHENG	05/27/15		1.5:1			
sheet index		revision sheet					A4		10027747		
cage code										22526	

