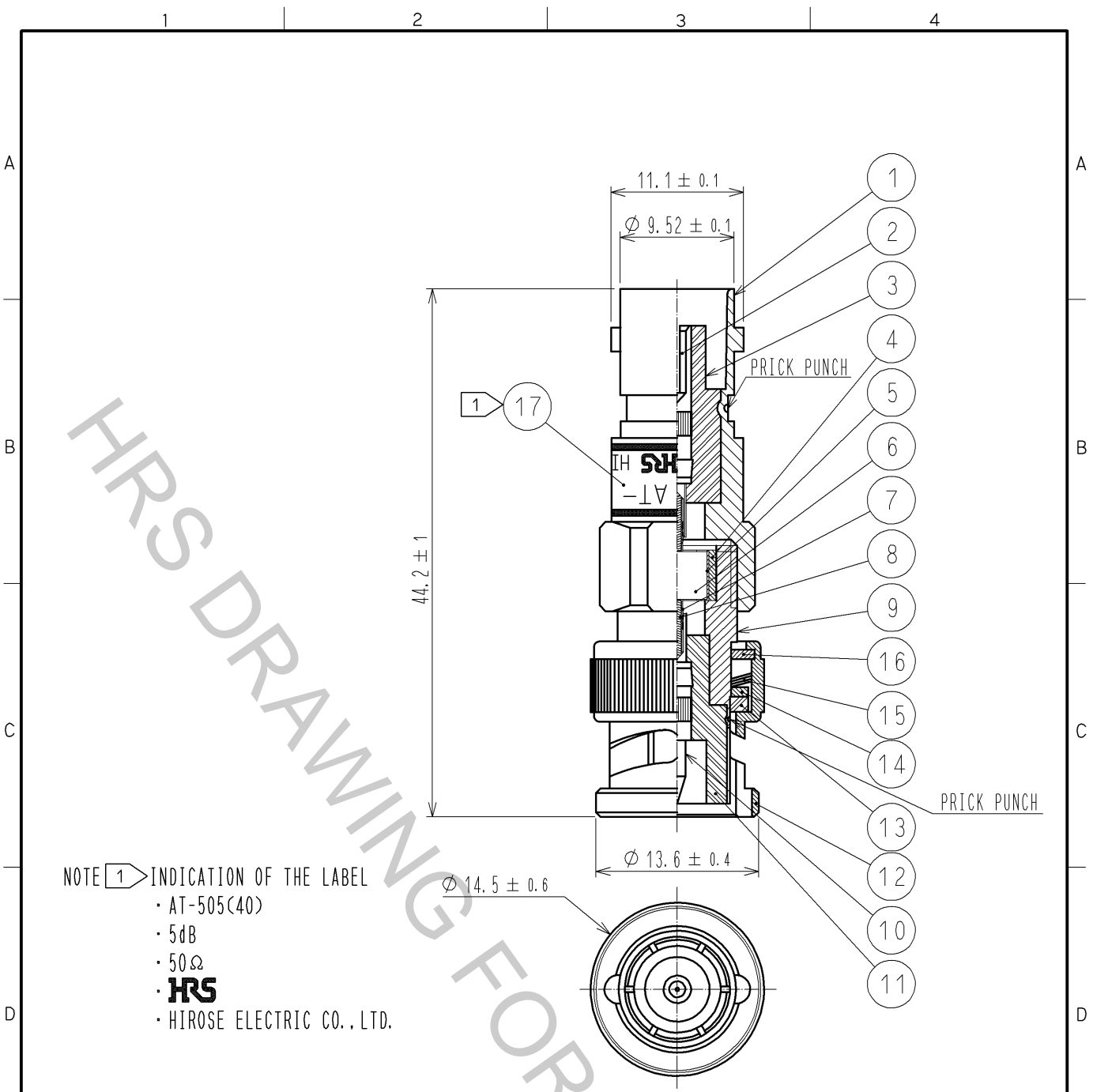


Aug.1.2018 Copyright 2018 HIROSE ELECTRIC CO., LTD. All Rights Reserved.
 In case that the application demands a high level of reliability, such as automotive,
 please contact a company representative for further information.



NOTE 1 INDICATION OF THE LABEL
 • AT-505(40)
 • 5dB
 • 50Ω
 • **HRS**
 • HIROSE ELECTRIC CO., LTD.

8	PIANO WIRE		17		LABEL
7	BERYLLIUM COPPER	GOLD PLATING	16	BRASS	NICKEL PLATING
6	ALUMINA		15	BERYLLIUM COPPER	SILVER PLATING
5	BERYLLIUM COPPER	GOLD PLATING	14	BRASS	NICKEL PLATING
4	BRASS	NICKEL PLATING	13	SILICON RUBBER	
3	PTFE		12	BRASS	NICKEL PLATING
2	BERYLLIUM COPPER	GOLD PLATING	11	PTFE	
1	BRASS	NICKEL PLATING	10	BRASS	GOLD PLATING
			9	BRASS	NICKEL PLATING
NO.	MATERIAL	FINISH . REMARKS	NO.	MATERIAL	FINISH . REMARKS

UNITS mm		SCALE 2 : 1	COUNT 	DESCRIPTION OF REVISIONS	DESIGNED	CHECKED	DATE
HRS HIROSE ELECTRIC CO., LTD.		APPROVED : MT. SHIBUTANI 12.01.27	DRAWING NO. EDC4-180173-01				
		CHECKED : KY. SHIMIZU 12.01.27	PART NO. AT-505(40)				
		DESIGNED : TK. SAWAGUCHI 12.01.26	CODE NO. CL354-0192-0-40				
		DRAWN : TK. SAWAGUCHI 12.01.26		1/1			