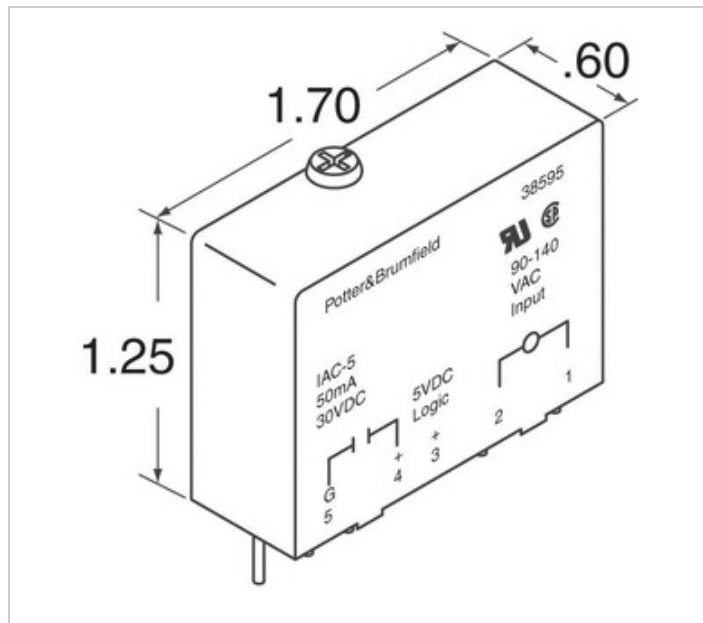




## OAC-5H

Nomor bagian: OAC-5H  
 Pabrikan / Merek: Agastat Relays / TE Connectivity  
 Deskripsi Produk: AC OUTPUT MODULE 5A  
 Lembar data: [OAC-5H.pdf](#)  
 Status RoHS: Bebas timah / Sesuai RoHS  
 Kondisi stok: 4073 pcs stock  
 Kirim Dari: Hongkong  
 Cara pengiriman: DHL/Fedex/TNT/UPS/EMS



**PERMINTAAN KUTIPAN**

Gambar bisa berupa representasi. Lihat spesifikasi untuk detail produk.

### Spesifikasi OAC-5H

NOMOR BAGIAN	OAC-5H
PABRIKAN	Agastat Relays / TE Connectivity
DESKRIPSI	AC OUTPUT MODULE 5A
MEMIMPIN STATUS BEBAS / STATUS ROHS	Bebas timah / Sesuai RoHS
JUMLAH YANG TERSEDIA	4073 pcs
LEMBARAN DATA	<a href="#">OAC-5H.pdf</a>
TEGANGAN - OUTPUT	24 ~ 280VAC
TEGANGAN - MASUKAN	5VDC
MENGETIK	AC Output Module
AKTIFKAN WAKTU	8.33ms
MATIKAN WAKTU	8.33ms
GAYA	Standard
SERI	OAC
NAMA LAIN	2-1393028-9 OAC5H PB701
STATUS GRATIS MEMIMPIN / STATUS ROHS	Lead free / RoHS Compliant
FITUR	Hold Down Screw
DETIL DESKRIPSI	AC Output Module Output Module 5A 24 ~ 280VAC Output 5VDC Supply
SAAT INI - OUTPUT	5A
SAAT INI - MASUKAN	20mA
WARNA	Black

### Tag terkait

Agastat Relays / TE Connectivity OAC-5H	Distributor OAC-5H	Pemasok OAC-5H
Harga OAC-5H	Gambar OAC-5H	Gambar OAC-5H
Lembar Data PDF OAC-5H	OAC-5H Unduh Lembar Data	Lembar Data OAC-5H
Stok OAC-5H	Beli OAC-5H	Beli Agastat Relays / TE Connectivity OAC-5H
Agastat Relays / TE Connectivity OAC-5H	Pemasok Agastat Relays / TE Connectivity	Distributor Agastat Relays / TE Connectivity
Agastat Relays / TE Connectivity OAC-5H	Axicom Relays / TE Connectivity OAC-5H	Buchanan Terminal Blocks / TE Connectivity OAC-5H
CGS Resistors / TE Connectivity OAC-5H	CII / TE Connectivity OAC-5H	Elcon Connectors / TE Connectivity OAC-5H
Holsworthy Resistors / TE Connectivity OAC-5H	Kilovac Relays / TE Connectivity OAC-5H	Neohm Resistors / TE Connectivity OAC-5H
OEG Relays / TE Connectivity OAC-5H	Products Unlimited Transformers & Relays / TE Conn OAC-5H	Q-Cee's / TE Connectivity OAC-5H
Schrack Relays / TE Connectivity OAC-5H	Sigma Inductors / TE Connectivity OAC-5H	TE Connectivity's Agastat Relays OAC-5H
TE Connectivity's Axicom Relays OAC-5H	TE Connectivity's Buchanan Terminal Blocks OAC-5H	TE Connectivity's CGS Resistors OAC-5H
TE Connectivity's CII OAC-5H	TE Connectivity's Elcon Connectors OAC-5H	TE Connectivity's Holsworthy Resistors OAC-5H
TE Connectivity's Neohm Resistors OAC-5H	TE Connectivity's OEG Relays OAC-5H	TE Connectivity's Q-Cee's OAC-5H
TE Connectivity's Schrack Relays OAC-5H	TE Connectivity's Sigma Inductors OAC-5H	TE Connectivity's Products Unlimited Transformers OAC-5H
TE Connectivity's Kilovac Relays OAC-5H		

### Produk-produk terkait

<p><b>OAC24</b>                  Produsen: Crydom                  Deskripsi: AC OUTPUT MODULE 3.5A                  Persediaan: 2890 pcs  <a href="#">RFQ</a></p>	<p><b>OAC-24</b>                  Produsen: Agastat Relays / TE Connectivity                  Deskripsi: AC OUTPUT MODULE 3A                  Persediaan: 4371 pcs  <a href="#">RFQ</a></p>
<p><b>OAC-24H</b>                  Produsen: Agastat Relays / TE Connectivity                  Deskripsi: AC OUTPUT MODULE 5A                  Persediaan: 5816 pcs  <a href="#">RFQ</a></p>	<p><b>OAC-5A</b>                  Produsen: Agastat Relays / TE Connectivity                  Deskripsi: AC OUTPUT MODULE 3A                  Persediaan: 4645 pcs  <a href="#">RFQ</a></p>
<p><b>OAC-5</b>                  Produsen: Agastat Relays / TE Connectivity                  Deskripsi: AC OUTPUT MODULE 3A                  Persediaan: 4639 pcs  <a href="#">RFQ</a></p>	<p><b>OAC15</b>                  Produsen: Crydom                  Deskripsi: AC OUTPUT MODULE 3A                  Persediaan: 2489 pcs  <a href="#">RFQ</a></p>
<p><b>OAC24RN</b>                  Produsen: Crydom                  Deskripsi: AC OUTPUT MODULE 3.5A                  Persediaan: 2448 pcs  <a href="#">RFQ</a></p>	<p><b>OAC-15A</b>                  Produsen: Agastat Relays / TE Connectivity                  Deskripsi: AC OUTPUT MODULE 3A                  Persediaan: 4673 pcs  <a href="#">RFQ</a></p>
<p><b>OAC4/15-L</b>                  Produsen: Panasonic                  Deskripsi: AC OUTPUT MODULE 2A                  Persediaan: 6526 pcs  <a href="#">RFQ</a></p>	<p><b>OAC15A</b>                  Produsen: Crydom                  Deskripsi: AC OUTPUT MODULE 3A                  Persediaan: 3683 pcs  <a href="#">RFQ</a></p>
<p><b>OAC-24A</b>                  Produsen: Agastat Relays / TE Connectivity                  Deskripsi: AC OUTPUT MODULE 3A                  Persediaan: 8040 pcs  <a href="#">RFQ</a></p>	<p><b>OAC24A</b>                  Produsen: Crydom                  Deskripsi: AC OUTPUT MODULE 3.5A                  Persediaan: 3505 pcs  <a href="#">RFQ</a></p>

